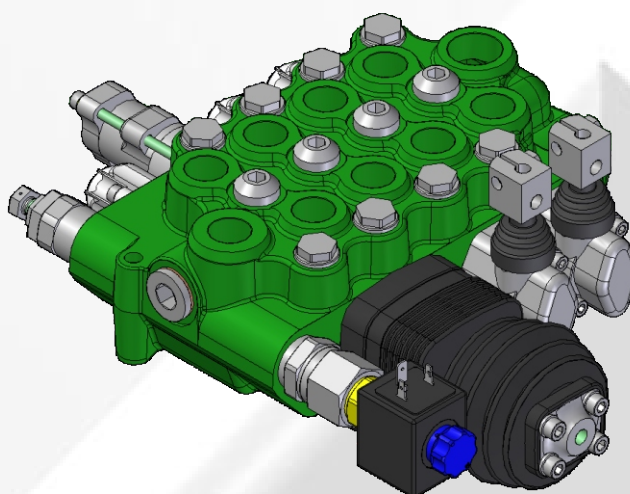


# MONOBLOCK VALVE VDM8

Technical catalogue



E0.01.0610.02.02

COMPANY  
WITH QUALITY SYSTEM  
CERTIFIED BY DNV  
=ISO 9001/2000=

**salam** ™



## Page 1 - GENERAL INDEX

Page 2 - General features

Page 3 - Technical data - Working conditions

Page 4 - Operating principle

Page 5 - Installation - Filtration - Pipes

Page 6 - Performance data - Metering curves - Valve working limit

Page 7 - Performance data - Pressure drop "P" to "T" - Pressure drop "P" to "A/B" and "A/B" to "T"

Page 8 - Dimensions from 2 to 5 sections monoblock

Page 9 - Dimension for 1 section monoblock

Page 10 - Hydraulic fluid - Ports

Page 11 - Inlet and outlet types

Pages 12 - 13 - Circuit and spool types

Page 14 - Main relief valves

Page 15 - Venting valves

Pages 16 - 17 - Auxiliary valves

Page 18 - Spool controls and spool positionings

Page 19 - Spool controls - SL - NL - NP - MP

Page 20 - Spool controls - SS - FL

Page 21 - Spool controls - L1/L2 - Standard shafts

Page 22 - Rotary control devices - CR

Page 23 - Cable remote controls - D1 - TC

Page 23 - Direct electric push-pull control and emergency devices - E1/E2 - SL - ES

Page 24 - Hydraulic controls - IP - IF

Page 25 - Pneumatic and electro-pneumatic controls - PP/P0 - P1/P2 - PQ

Page 26 - 27 - Electro-hydraulic controls - H1/H2

Page 28 - Spool positionings - C2 - C3 - C4 - C5 - C6 - C7 - C8

Page 29 - Spool positionings - R2 - R4 - R5 - R6 - R7 - R9 - C0

Page 30 - Spool positionings - F1 - F2 - F3 - F4 - F5 - F6 - F7 - F8

Page 31 - Spool positionings - D7 - D8 - D9 - M1 - M2 - M3

Page 32 - Spool positionings - CE - CM - CW - CD

Page 33 - Spool positionings - PM - G2 - G4 - G5

Page 34 - How to order - VDM8

Page 35 - Identification label

## Page 36 - WARRANTY

### E0.01.0911.02.03

The data in this catalogue refers to the standard product.

The policy of Salami S.p.A. consists of a continuous improvement of its products. It reserves the right to change the specifications of the different products whenever necessary and without giving prior information.

If any doubts, please get in touch with our sales department.

### GENERAL FEATURES

Among all hydraulic directional control valves used in the field of mobile equipment applications, the spool valve is the most popular.

The monoblock valve type offers an excellent performance price ratio.

#### FEATURES

VDM8 directional control valve has the following:

- cast-iron monoblock construction up to 5 spools
- parallel circuit, load check valve protection on each section
- possibility of venting valve
- possibility of power beyond configuration
- spool construction in steel, hardened and chromium-plated to obtain a higher surface hardness and a better corrosion resistance
- several types of spool: double, single acting, spool motor, float position etc.
- minimum tolerance between the spools and the body to obtain a minimum internal leakage
- interchangeability of all the spools
- possibility of auxiliary valve either on port A or B or on both
- several spool control devices and spool positioning devices

#### VALVE AND DEVICE TYPES

In order to meet the most stringent demands and to offer a wider range of applications, the following types of valves and devices are available:

##### Valves

- direct main relief valve: controls the maximum pressure in the circuit when one or more spools are on end stroke located on "A" or "B" port side, can be:
  - direct type version up to 260 bar - 3700 *psi*
  - pilot operated with anticavitation version up to 350 bar - 5000 *psi*
- electric by-pass valve: located in the opposite cavity of the main relief valve and is available as 12 or 24 Vdc and normally open or normally closed versions
- overload and anticavitation valve on port A or/and B: set at a higher value (in comparison with the main relief valve), it protects the working ports from load induced pressures, avoids cavitation in the system created by the inertia.
- anti-cavitation check valve on port A or/and B: avoids cavitation in the system created by the inertia.
- flow restrictor: directly fitted on the "A/B" ports orifice

##### Devices

- handle controls
- handle safety devices: avoids accidental operation of the spool
- cross lever: allows to acting two spools with one manual joystick
- cable remote control
- control device for microswitches: for the operation with electric d.c. motor driven pumps at one or more rotation speeds
- hydraulic kick-out: the spool returns automatically to the neutral position when the preset pressure of port "A" or "B" is exceeded
- anti-tilt device: the spool returns automatically in neutral position when the pressure reaches a pre-set value to avoid cranes from becoming unstable
- pneumatic proportional control
- electropneumatic control
- hydraulic proportional control
- direct electric on-off control with emergency manual device
- electrohydraulic on-off and proportional control
- several spool positionings device to return the spool to neutral position or to lock the spool on working position

**TECHNICAL DATA**

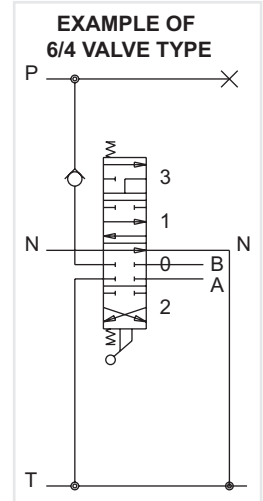
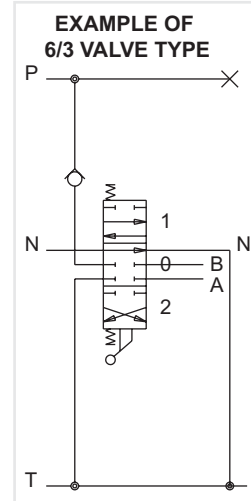
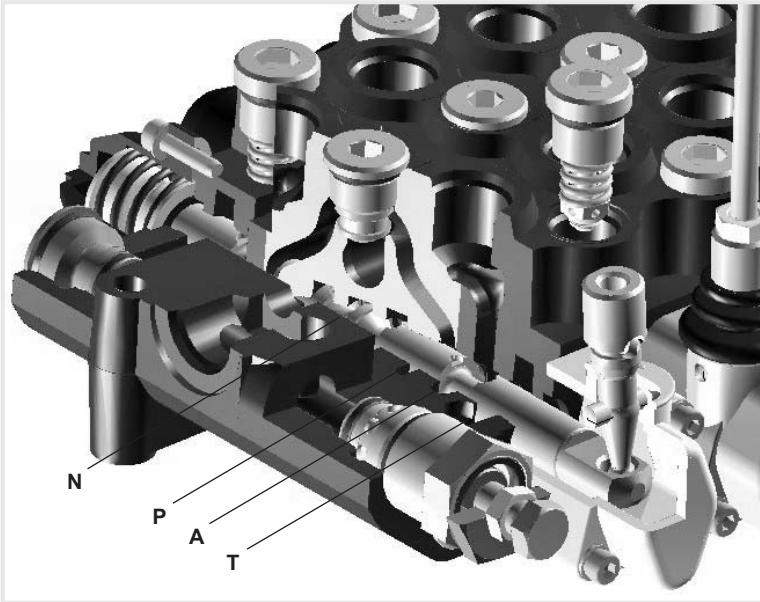
Spools	from 1 to 5		
Nominal flow	Q	75 l/min	( 20 gpm US )
Max flow*		90 l/min	( 24 gpm US )
Max pressure	port P	350 bar	( 5100 psi )
	ports A/B	350 bar	( 5100 psi )
	port T*	25 bar	( 363 psi )
Internal leakage at 160 bar ( 2285 psi )	ports A/B → T	25 ÷ 35 cm <sup>3</sup> /min ( 1.52 ÷ 2.13 cu.in./min )	
For lower leakage please contact our sales dept.			
In case of solenoid control the leakage is		120 ÷ 160 cm <sup>3</sup> /min ( 7.32 ÷ 9.76 cu.in./min )	
Spool stroke (positions 1 and 2)		± 7 mm	( 0,28 in. )
Spool stroke (position 4, float or regenerative)		± 7 + 5 mm	( 0.28 + 0.19 in. )
For solenoid spool control - stroke		± 5 mm	( 0,19 in. )
*In case you need the max flow please contact our sales dept.			
*For higher back pressure please contact our sales dept.			
All technical data carried out using mineral oil with viscosity of 16 cSt and contamination level 19/16 as ISO 4406.			

Nominal flow meaning: flow causing 1 bar (14.5 psi) pressure drop each section, with spools in neutral position

**WORKING CONDITIONS**

Hydraulic fluid	mineral oil according to DIN 51524		
Viscosity	viscosity range	10...400 mm <sup>2</sup> /sec	( 0.15...7.13 sq.in./sec )
	optimal viscosity	12...75 mm <sup>2</sup> /sec	( 0.19...1.16 sq.in./sec )
Temperature	fluid range temperature	-20...85 °C	( -4...185 °F ) NBR seals
	suggested range	30...60 °C	( 86...140 °F ) NBR seals
Maximum contamination level	NAS 1683: class 9	ISO 4406: 19/16	
Room temperature		-30...60 °C	( -22...140 °F )
Working limits	see diagrams at page 6		
Pressure drop	see diagrams at page 7		
For operation with fire resistant fluid, please contact our sales department			

### OPERATING PRINCIPLE



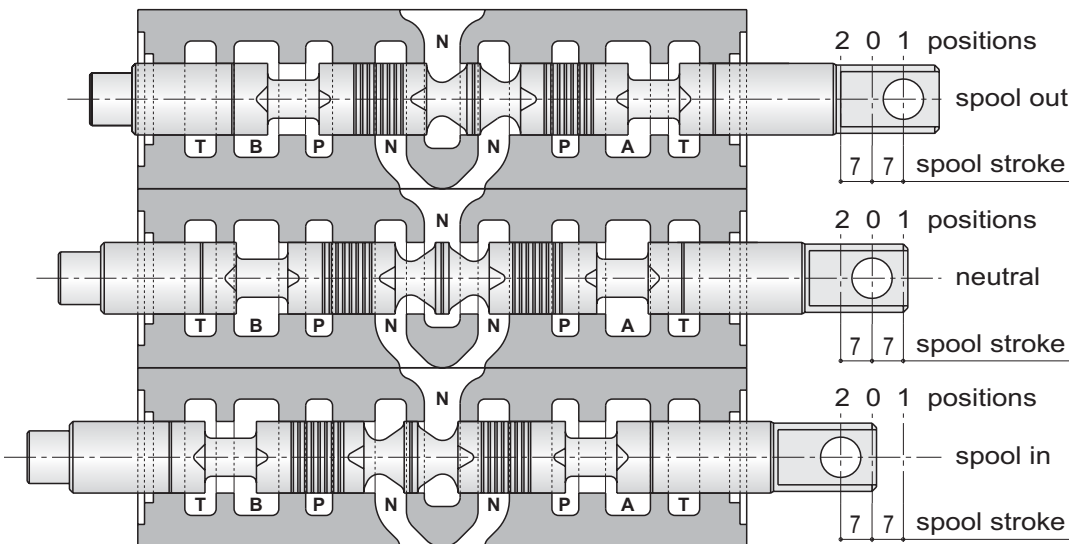
The picture show the paths N - P - A - T, the other paths are simmetrical

Salami directional control valves belong to the 6/3 (or 6/4) type; they can control 6 gallery in 3 (or 4) spool positions simultaneously.

They are open circuit types: when the spool is in neutral position, the fluid flows directly to the tank with minimum internal pressure drops (approximately 1 bar / 14.5 psi for each spool at nominal flow).

When the spool is moved from this position, the neutral gallery is gradually throttled and the connection between pump and actuator, through the corresponding port, is made.

When a pressure exceeds the value of the pressure existing in port A or B, the fluid flows through the load check valve to the actuator.



#### IMPORTANT

Looking at this side of the spool, we usually say: spool in when the spool is pushed into the valve and spool out when it is pulled out of the valve. Depending on assembling of the spool on "A" or "B" side

There are two characteristic phases in the spool stroke (7 mm - 0,275 in.):

- a) the overlap phase (about 18% of the stroke) guarantees minimum internal leakages in neutral position;
- b) the progressive flow regulation phase (82% of the stroke).

Both pictures show a 6/3 valve type with double acting spool only as principle of functioning.

Salami VDM8 is available in different solutions.



**INSTALLATION**

When proceeding to mount the unit on the structure and to connect fittings to work ports, it is necessary to comply with the values of tightening torques.  
The attachment of linkages to spools should not affect their operation. The mounting position can be vertical with inlet module on the top or horizontal.

**Standard tightening torques - Nm / lbft**

FITTING TYPE	P and PL ports	A and B ports	T and TL ports
BSP (ISO 228/1)	G 3/4	G 1/2	G 3/4
with o-ring seal	60 / 44.2	50 / 36.9	60 / 44.2
with copper washer	70 / 51.6	60 / 44.3	70 / 51.6
with steel washer	70 / 51.6	60 / 44.3	70 / 51.6
SAE	SAE 10 (7/8-14 UNF)	SAE 10 (7/8-14 UNF)	SAE 12 (1 1/16-12 UN)
with o-ring seal	60 / 44.2	60 / 44.2	95 / 70.1

**FILTRATION**

The contamination of the fluid in the system greatly affects the life of the unit. Above all, contamination may result in irregular operation, wear of seals in valve housings and failures. Once the initial contamination level of the system has been reached, it is necessary to limit any increase of contamination installing an efficient filtration system (see working conditions page 3).

**PIPES**

Pipes should be as short as possible, without restrictions or sharp bends (especially the return lines). Before connecting pipes to the fittings of the corresponding components, make sure that they are free from burrs and other contamination.

As a first approximation, for a mobile machine with standard length pipes, their width should guarantee the following values of fluid speed\*:

6 ÷ 10 m/sec	inlet pipe	19,7 ÷ 32,8 ft/sec	inlet pipe
3 ÷ 5 m/sec	outlet pipe	9,9 ÷ 16,4 ft/sec	outlet pipe

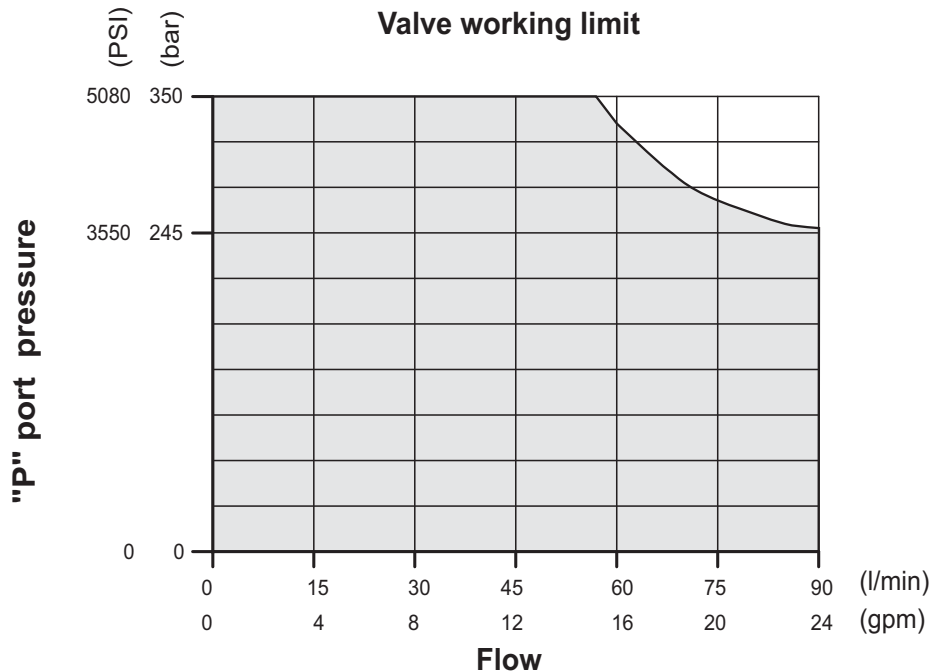
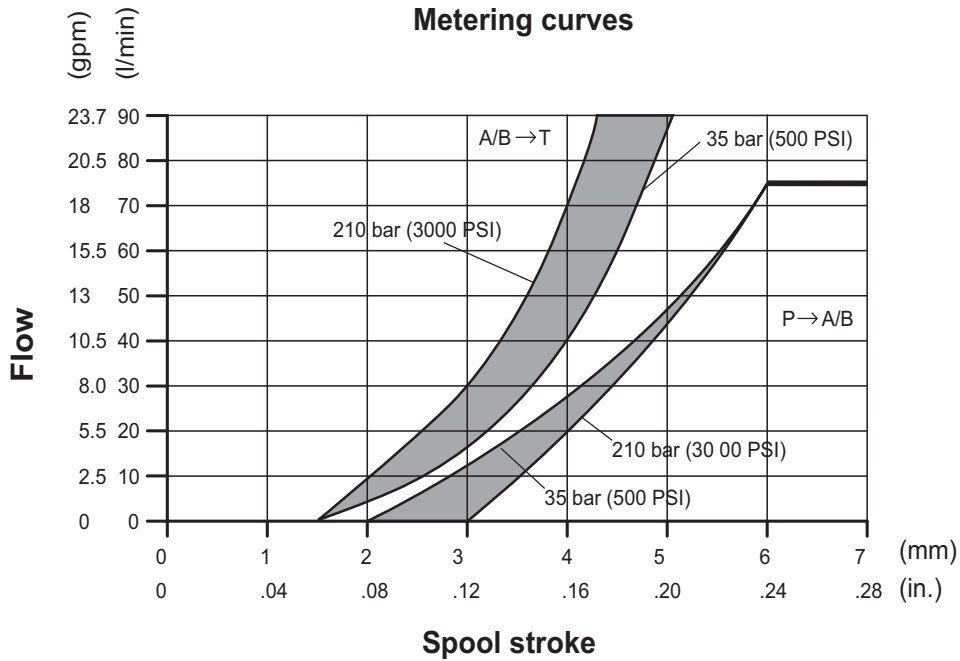
the lowest values of fluid speed are required in case of wide temperature range and/or for continuous duty.

$$* [v = \frac{21,2 \times Q}{d^2}] \quad v = \text{fluid speed [m/sec]}, \quad Q = \text{flow [l/min]}, \quad d = \text{pipe internal diameter [mm]}$$

## PERFORMANCE DATA

The characteristics in this catalogue are typical measured results.  
During measuring a mineral based hydraulic oil with a viscosity of 16 cSt at a temperature of 50°C was used.

**FOR FURTHER DETAILS PLEASE CONTACT OUR SALES DEPARTEMENT**



The data of this diagram have been obtained by a manual control using an effort: stroke beginning 120 N - stroke end 180 N and standard leakage data.



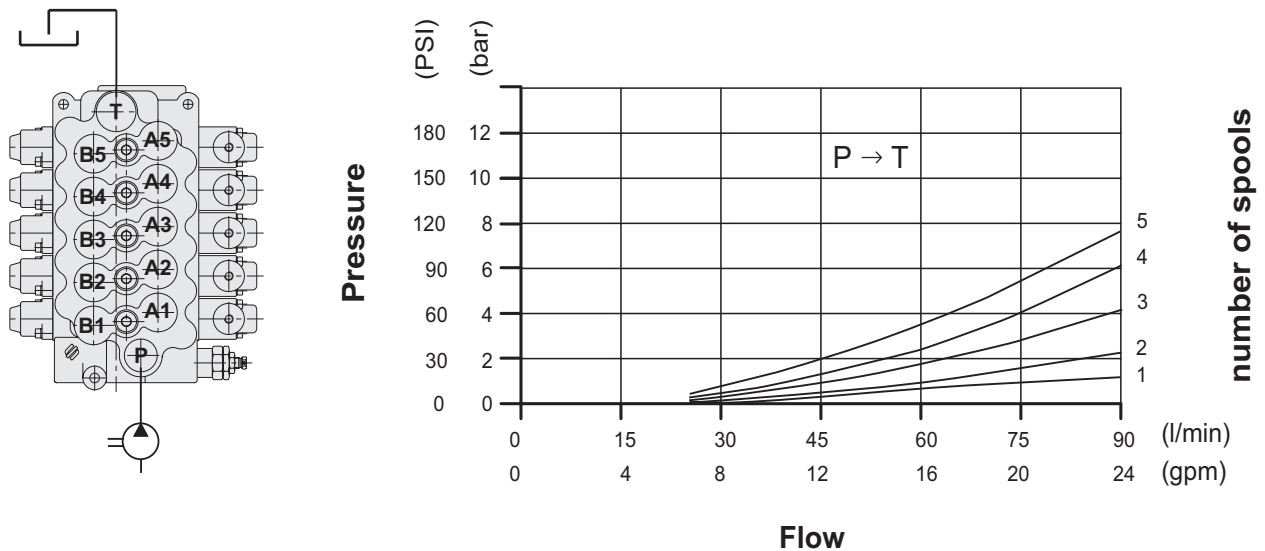


## PERFORMANCE DATA

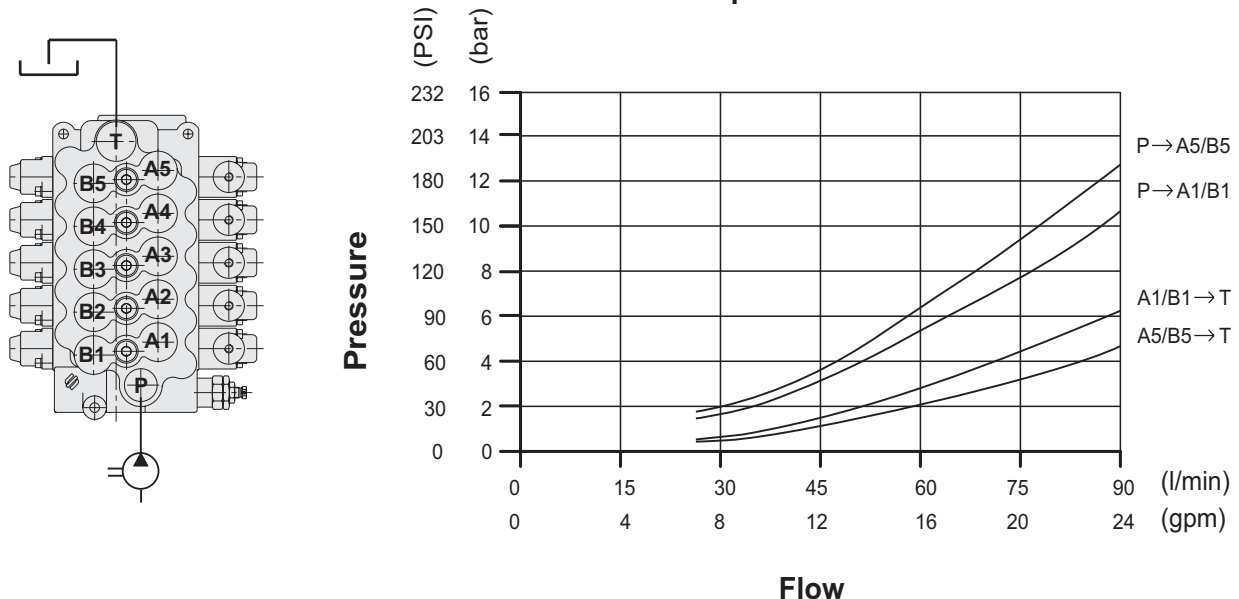
The characteristics in this catalogue are typical measured results.  
During measuring a mineral based hydraulic oil with a viscosity of 16 cSt at a temperature of 50°C was used.

FOR FURTHER DETAILS PLEASE CONTACT OUR SALES DEPARTEMENT

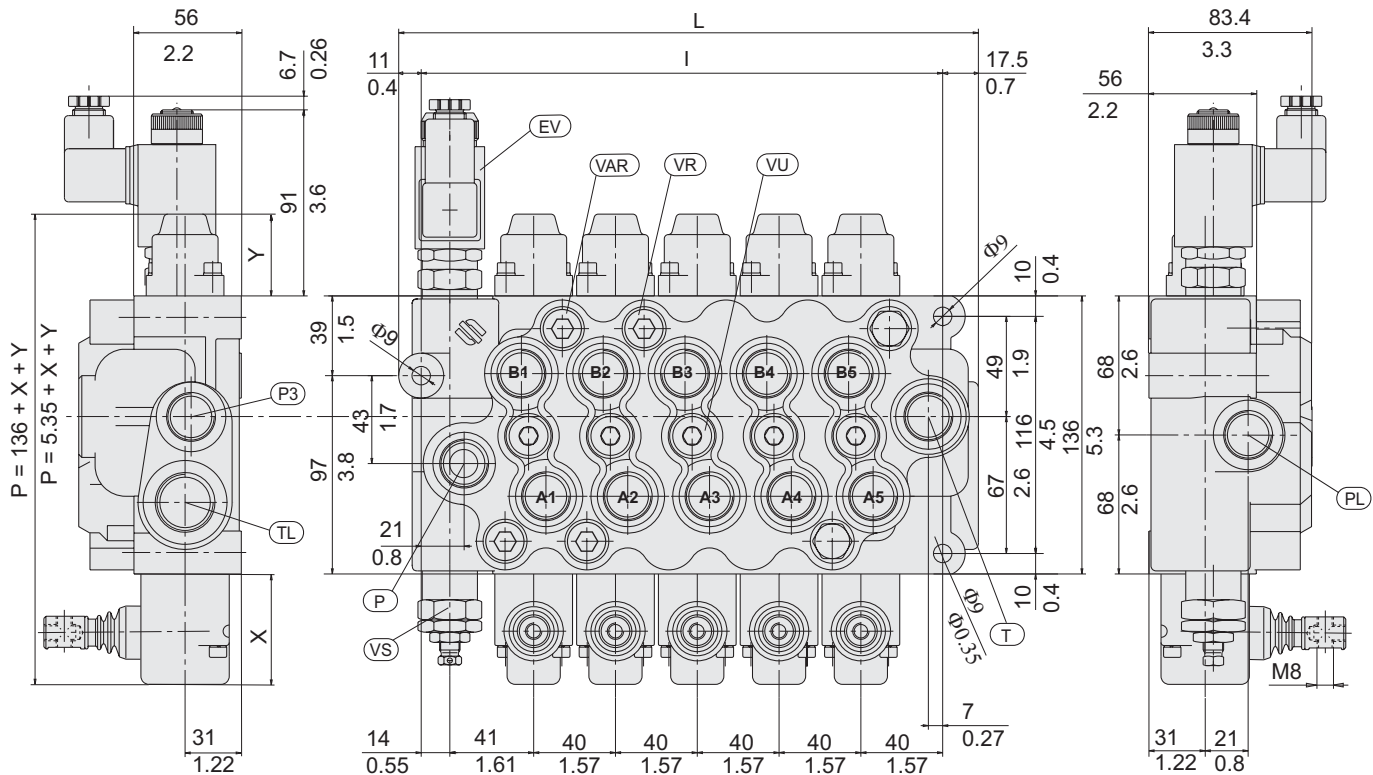
### Pressure drop "P" to "T"



### Pressure drop "P" to "A/B1" and to "A/B5" Pressure drop "A/B1" and "A/B5" to "T"



### DIMENSIONS FROM 2 TO 5 SECTIONS MONOBLOCK



The drawing shown is just an example. The overall dimensions you read are valid for all the VDM8 except the parametric dimensions "L" and "I" depending of the number of working sections. The parametric dimension "P" depends on a fixed dimension of 136 mm (11 in.) to which you have to add the "X" and "Y" dimensions that you can find in the spool controls and spool positionings pages.

#### INDEX:

- P** = top inlet port
- PL** = side inlet port
- P3** = side outlet port for power beyond
- T** = top outlet port
- TL** = side outlet port
- A/B** = work ports
- VS** = main relief valve (adjustable)
- EV1** = venting valve 12 V normally open
- EV2** = venting valve 24 V normally open
- EV3** = venting valve 12 V normally closed
- EV4** = venting valve 24 V normally closed
- VAR** = overload and anti-cavitation valve
- VR** = anti-cavitation valve
- VU** = load check valve

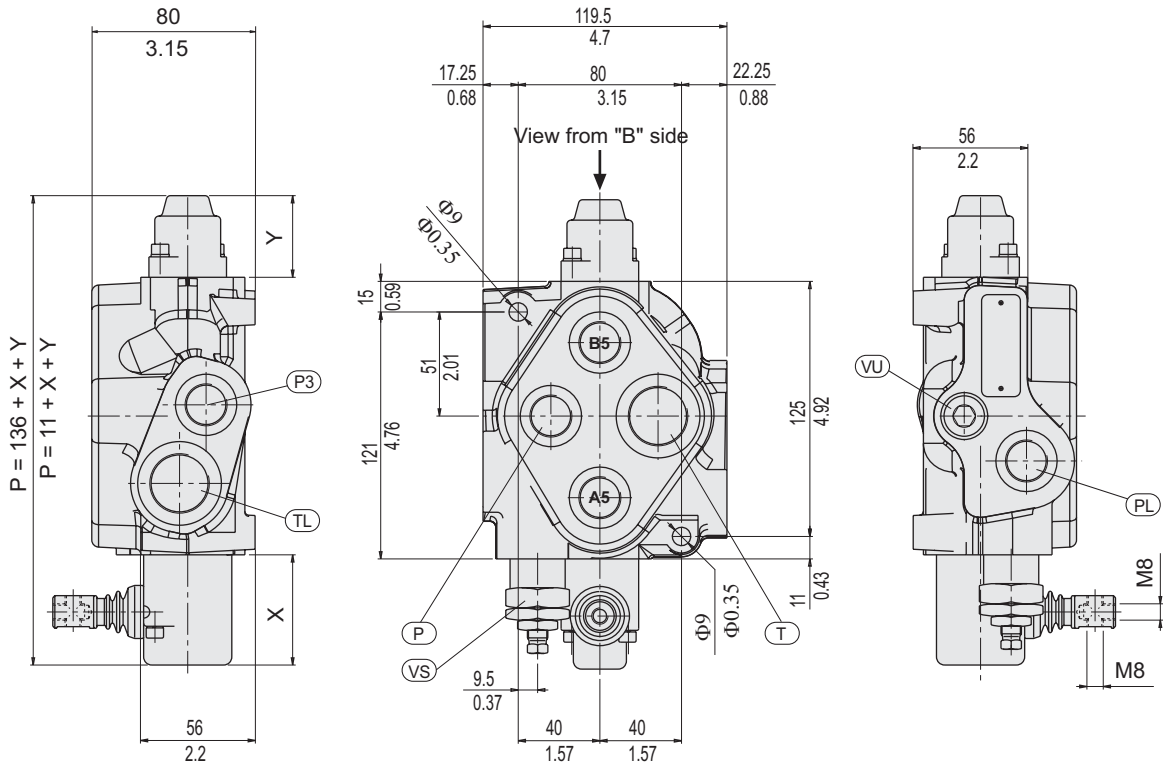
6 spools valve not yet available

Spools		1	2	3	4	5	6
<b>I</b>	mm	/	135	175	215	255	/
	in	/	5,31	6,89	8,46	10,03	/
<b>L</b>	mm	/	163.5	203.5	243.5	283.5	/
	in	/	6.43	8.01	9.59	11,16	/

For different size and thread ports  
contact our sales department

PORT SIZES	P - PL - P3	T - TL	A - B
<b>BSP ISO 228</b>	G 1/2	G 3/4	G 1/2
<b>SAE ISO 176</b>	SAE#10 7/8 - 14 UNF	SAE#12 1-1/16 - 12 UNF	SAE#10 7/8 - 14 UNF
<b>ISO 262 - ISO 6149</b>	M 22 x 1.5	M 27 x 2	M 22 x 1.5

**DIMENSIONS FOR 1 SECTION MONOBLOCK**

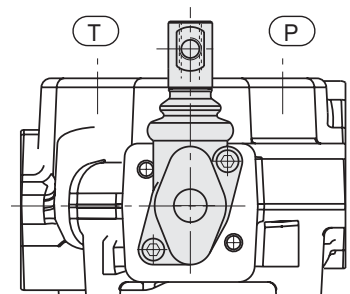


The parametric dimension "P" depends on a fixed dimension of 136 mm (11 in.) to which you have to add the "X" and "Y" dimensions that you can find in the spool controls and spool positionings pages. In this monoblock the main relief valve can be assembled only on "A" side, you can assemble venting valve option only instead of main relief and not in combination with it, moreover only on "B" side you can assemble the levers as shown in the drawings here below.

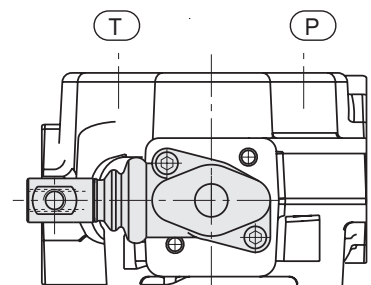
**INDEX:**

- P** = top inlet port
- PL** = side inlet port
- P3** = side outlet port for power beyond
- T** = top outlet port
- TL** = side outlet port
- A/B** = work ports
- VS** = main relief valve(adjustable)
- VU** = load check valve

PORT SIZES	P - PL - P3	T - TL	A - B
BSP ISO 228	G 1/2	G 3/4	G 1/2
SAE ISO 176	SAE#10 7/8 - 14 UNF	SAE#12 1-1/16 - 12 UNF	SAE#10 7/8 - 14 UNF
ISO 262 - ISO 6149	M 22 x 1.5	M 27 x 2	M 22 x 1.5



Views from "B" side



Monoblocks with all ports threaded G3/4 or SAE 12 are available, please specify in phase of order.

## HYDRAULIC FLUIDS

Usually a mineral-base oil with a good viscosity index should be used, preferably with good lubricating properties and corrosion, oxidation and foaming resistant.

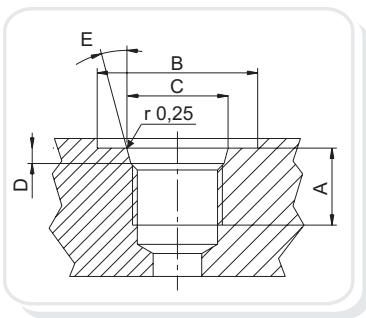
Sometimes the fluids supplied by the manufacturers do not satisfy purity requirements (see page 3 WORKING CONDITIONS). It is therefore necessary to filter the fluid carefully before filling. Your supplier can give you the information about NAS class of its fluids. To maintain the proper purity class, the use of filters of high dirt capacity with clogging indicator is recommended.

Under humidity conditions it is necessary to use hygroscopic salts.

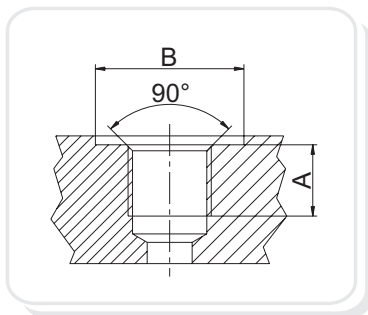
For operation with fire resistant and ecological fluids, please contact our technical department.

## PORTS

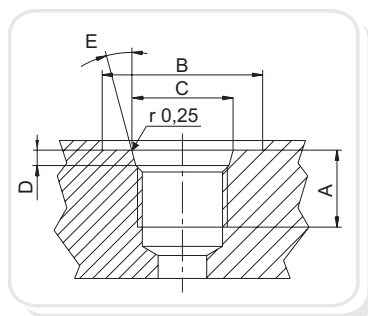
Following are standard ports. For different port types, please contact our sales department.



SAE UN-UNF (ISO 725)							
Dimensions		7/8 -14 UNF		1"1/16 -12 UN		1"5/16 -12 UN	
mm	In.	SAE10		SAE12		SAE16	
A		17	0,67	20	0,79	20	0,79
B		34	1,34	41	1,61	49	1,92
C		23,9	0,94	29,2	1,15	35,5	1,40
D		2,5	0,10	3,3	0,13	3,3	0,13
E		15°		15°		15°	



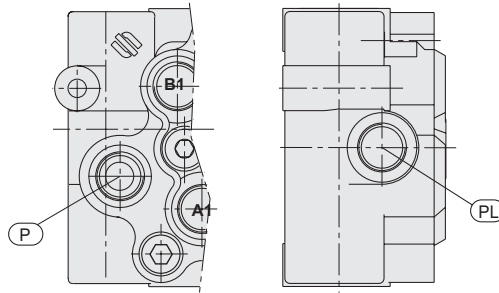
BSP (ISO 228)							
Dimensions		G1/2		G3/4		G1	
mm	In.						
A		16	0,63	18	0,71	20	0,79
B		27	1,06	33	1,30	40	1,57



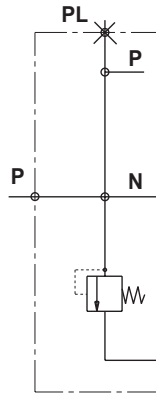
METRIC (ISO 262 - ISO 6149)*									
Dimensions		M22 x 1.5			M27 x 2				
mm	In.	ISO 262		ISO 6149		ISO 262		ISO 6149	
A		16	0,63	16	0,63	18	0,71	19	1,75
B		31,5	1,24	34	1,34	37,7	1,48	40	1,57
C				23,8	0,94			29,4	1,16
D				2,4	0,09			3,1	0,12

\*Available for quantity, please contact our sales dept.

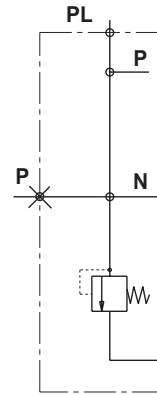
**INLET AND OUTLET TYPES**



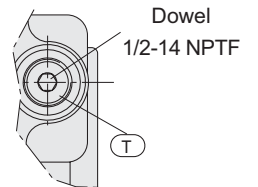
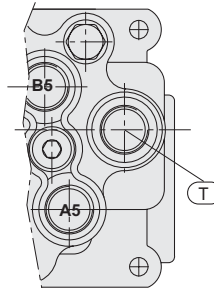
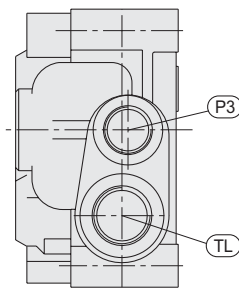
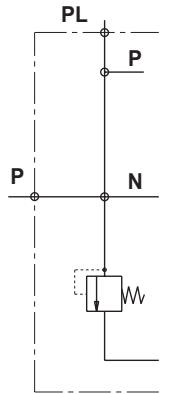
Top port  
side port plugged **01**



Side port  
top port plugged **02**



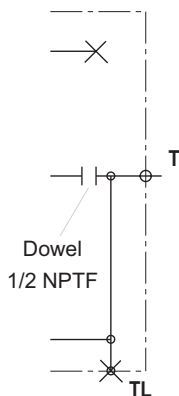
Top and  
side ports **03**



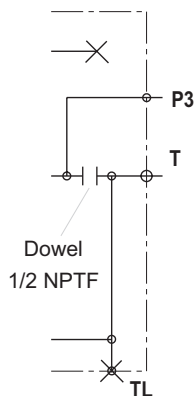
To obtain U5 and U7 configurations, starting from standard monoblock, it needs to insert a dowel 1/2 NPTF threaded to interrupt the N line.

**U8** Closed center configuration

Outlet type necessary for electro-hydraulic controls, please go to page 24 to see the drawing and hydraulic scheme.



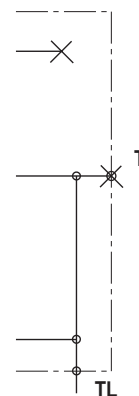
**U7** Power beyond configuration (side P3)



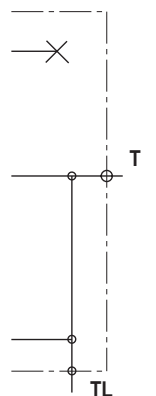
**U5** Top port side port plugged



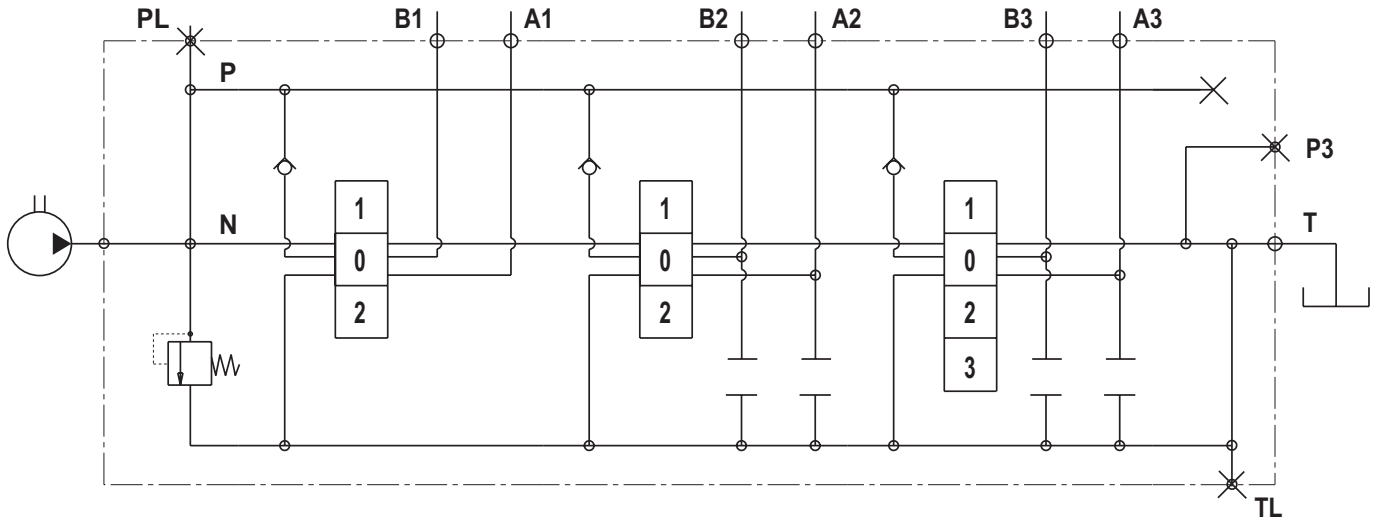
**U4** Side port top port plugged



**U3** Top and side ports



### CIRCUIT AND SPOOL TYPES

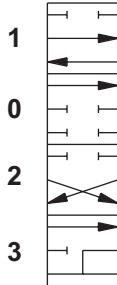
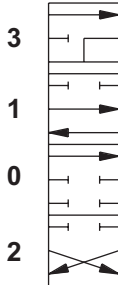
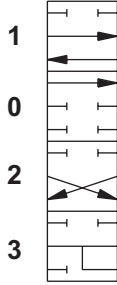
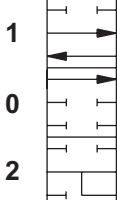
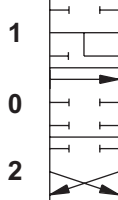
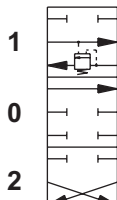
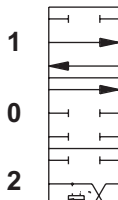
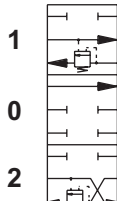


This is the standard circuit between working sections: the circuit is always parallel type, as shown in the picture above you can have main relief valve in the inlet (see page 14), the working sections can have pre-arrangement for auxiliary valves or not,

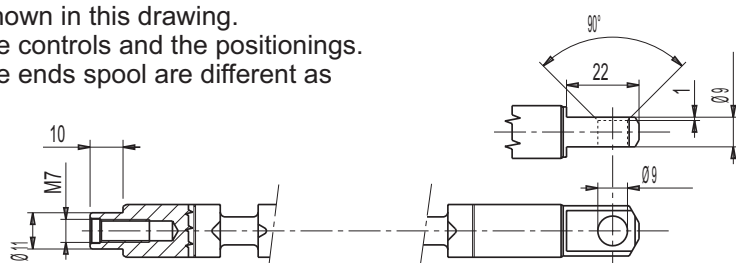
the spools can be 3 or 4 positions (as shown here below) moreover VDM8 is always pre-arranged for carry over just adding a dowel 3/8" NPTF.

**As you can read at page 34, the spools can be types "A" nominal flow or "C" 2/3 of nominal flow.**

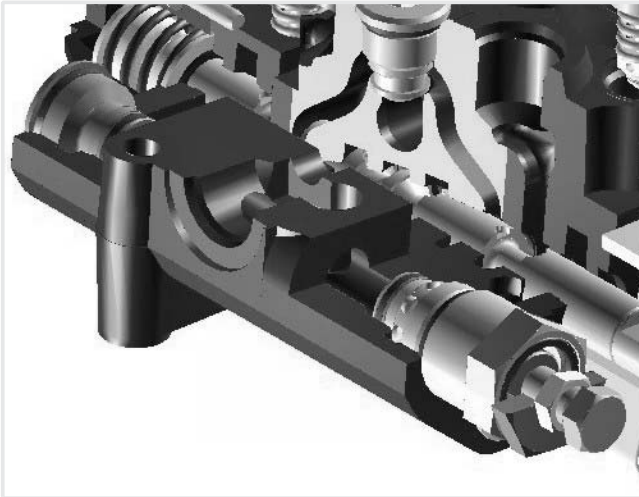
<p><b>01</b></p>	<p>Double acting spool</p>	<p>Double acting motor spool</p>	<p><b>02</b></p>
<p><b>03</b></p>	<p>Double acting motor spool ("B" port blocked)</p>	<p>Double acting motor spool ("A" port blocked)</p>	<p><b>04</b></p>
<p><b>05</b></p>	<p>Single acting spool "A" working port</p>	<p>Single acting spool "B" working port</p>	<p><b>06</b></p>

<p><b>11</b></p> 	<p>Double acting spool with float function in 3rd position (spool in)</p>	<p>Double acting spool with float function in 3rd position (spool out)</p>	<p><b>12</b></p> 
<p><b>13</b></p> 	<p>Double acting spool with regenerative function in 3rd position (spool in)</p> <p>With this type of spool a special machining of the body is required</p>		
<p><b>17</b></p> 	<p>Double acting spool with regenerative function in position 2 (spool in)</p> <p>With this type of spool a special machining of the body is required</p>	<p>Double acting spool with regenerative function in position 1 (spool out)</p> <p>With this type of spool a special machining of the body is required</p>	<p><b>18</b></p> 
<p><b>52</b></p> 	<p>Over center double acting spool "A" working port</p>	<p>Over center double acting spool "B" working port</p>	<p><b>53</b></p> 
<p><b>54</b></p> 	<p>Over center double acting spool "A and B" working ports</p>		

Salami standard spools have the ends as shown in this drawing. These ends spool are necessary to join it the controls and the positionings. With direct electric and hydraulic controls the ends spool are different as you can see at pages 23 and 24.



## MAIN RELIEF VALVES



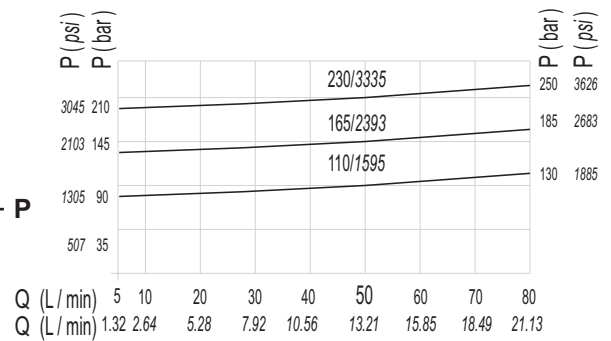
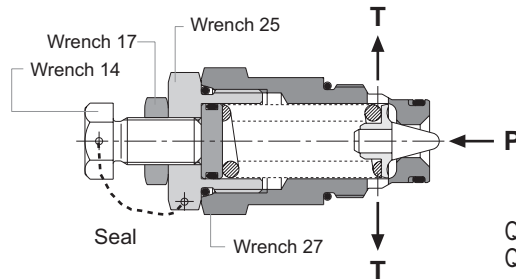
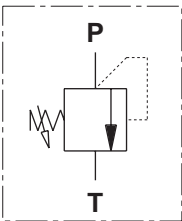
As you can see in the picture beside, the main relief valve can be mounted on "A" or "B" side because the VDM8 is always pre-arranged in this way (except the VDM8 - 1 section monoblock where the valve is always on "A" side). In the opposite side of the main relief valve you must mount a plug that you find in this page. All the testing values of this page have been obtained with nominal flow of 50 L/min - 13.21 gpm, viscosity 16cST and oil temperature 50°C - 122°F.

Max tightening torque:  
wrench 13 - 24 Nm  
wrench 17 - 27 Nm  
wrench 25 - 35 Nm  
wrench 27 - 40 Nm  
wrench 30 - 75 Nm  
Allen wrench 8 - 27 Nm



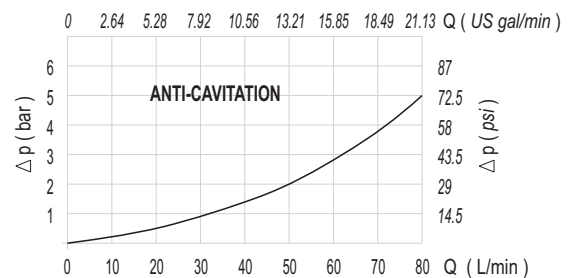
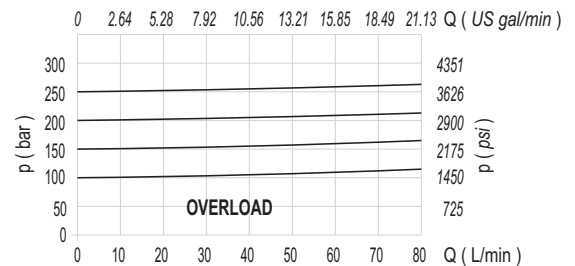
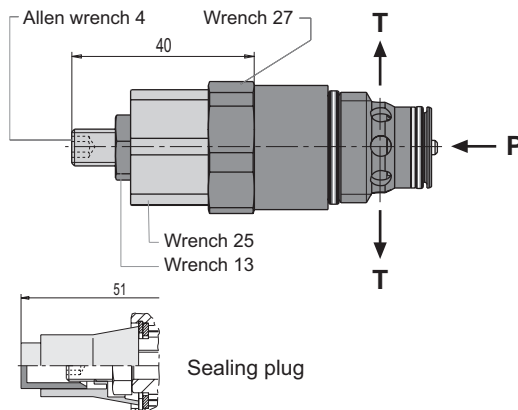
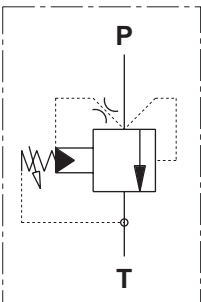
### D

**MAIN RELIEF VALVE DIRECT OPERATED**  
(setting range from 25 to 250 bar - 362 to 3625 psi)



### P

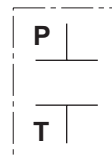
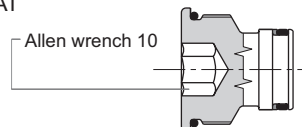
**MAIN RELIEF VALVE PILOT OPERATED**  
(setting range from 25 to 280 bar - 362 to 4061 psi) first spring  
(setting range from 100 to 400 bar - 1450 to 5800 psi) second spring



Both valves **D** and **P** are adjustable without oil leaking. Further more, both have a security device to avoid valve sticking

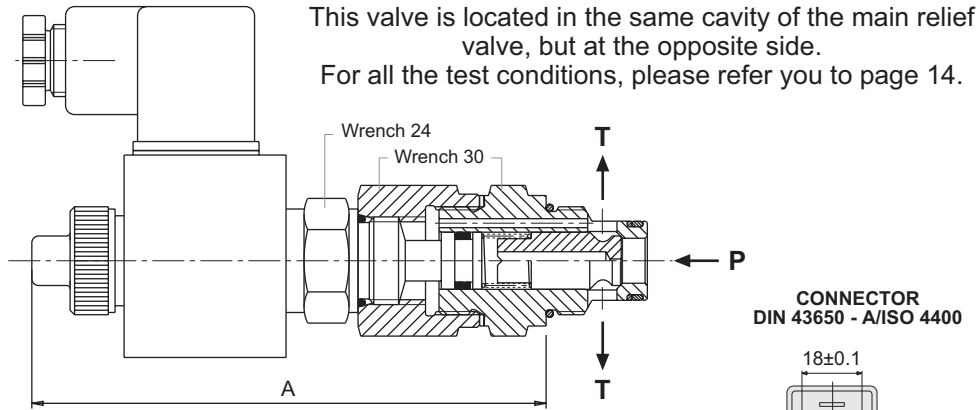
### W

**PLUG FOR MAIN RELIEF SEAT WITHOUT VALVE**

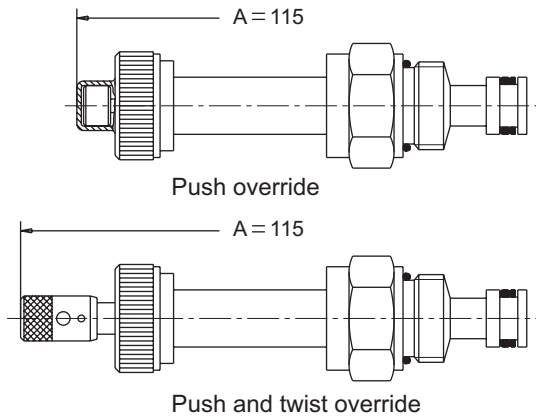




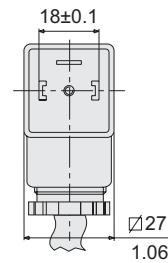
## VENTING VALVES



This valve is located in the same cavity of the main relief valve, but at the opposite side.  
For all the test conditions, please refer you to page 14.

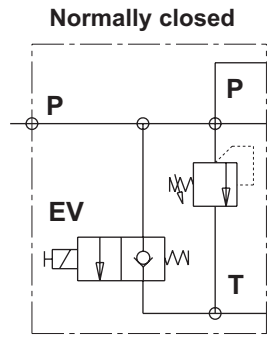
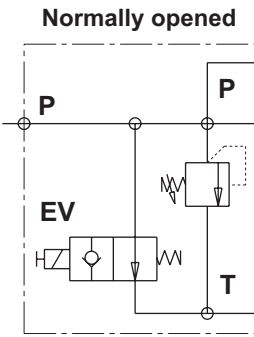
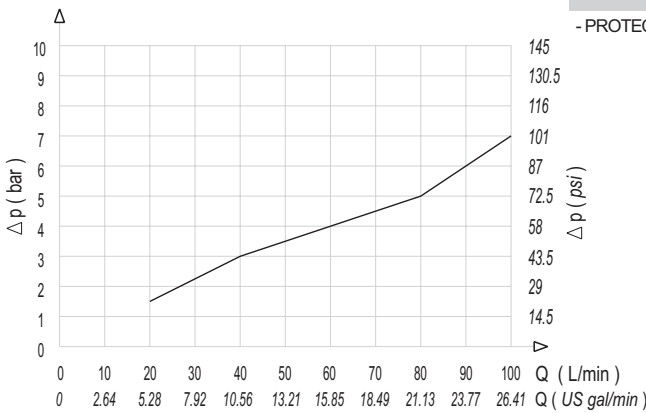


CONNECTOR  
DIN 43650 - A/ISO 4400

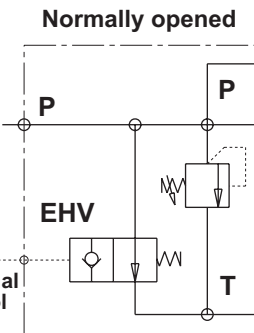
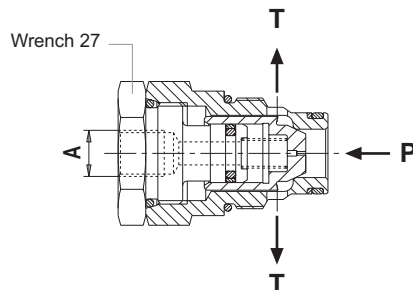


### SPECIFICATIONS

- MAX PRESSURE IN "P"	350 bar
- MAX FLOW	75 l/min
- OIL LEAKAGE-max pressure-46cST	1 cm <sup>3</sup> /min
- AVAILABLE VOLTAGE	12 - 24 Vcc
- COIL RESISTANCE	12Vdc:8.7Ω - 24Vdc:33Ω
- COIL POWER	17 W
- PROTECTION INDEX WITH STANDARD CONNECTOR	IP 65



A	
available threads	
M10 x 1	SAE 6



**EV1**

12 Vdc - Normally opened  
Push override

**EV2**

24 Vdc - Normally opened  
Push override

**EV3**

12 Vdc - Normally closed  
Without override

**EV4**

24 Vdc - Normally closed  
Without override

**EV5**

12 Vdc - Normally opened  
Push and twist override

**EV6**

24 Vdc - Normally opened  
Push and twist override

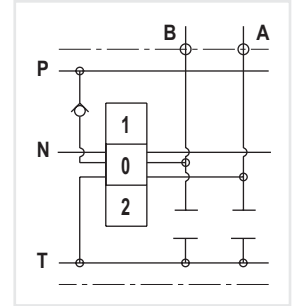
**EHV**

External piloted  
venting valve

## AUXILIARY VALVES

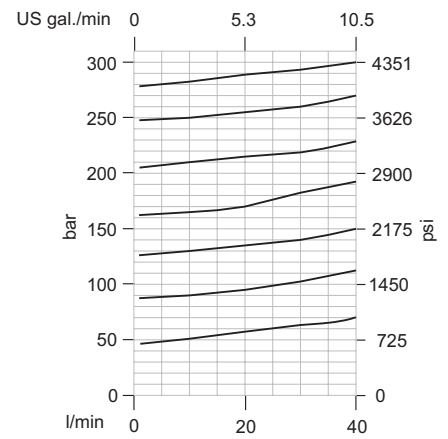
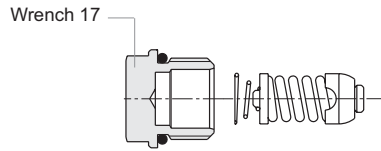


This picture shows the position of the auxiliary valves. For the tightening torque please see page 14.



### AR

AR - Not adjustable overload and anti-cavitation valve

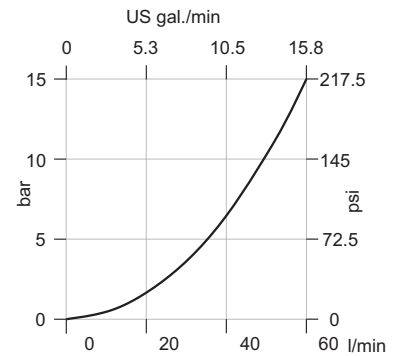
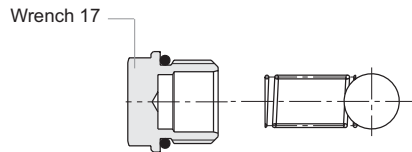
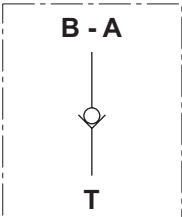


### AVAILABLE SETTINGS

bar	25	32	40	50	63	80	100	125	140	160	175	190	210	230	250	280	315	350
psi	362	464	580	725	910	1160	1450	1810	2000	2300	2530	2715	3000	3300	3600	4000	4569	5076

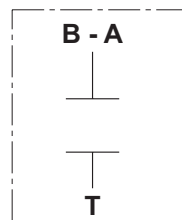
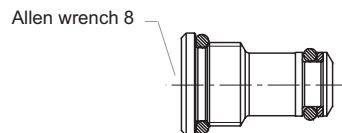
### VR

VR - Anti-cavitation valve

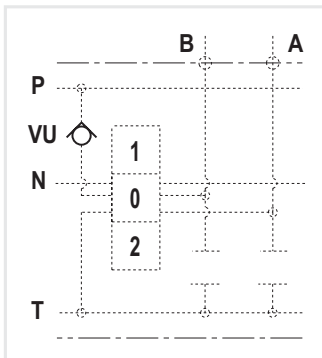


### PR

PR - Plug for cavity

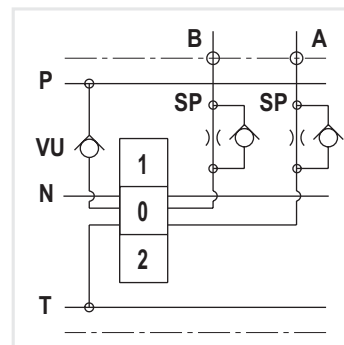
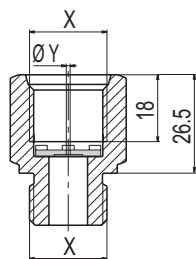
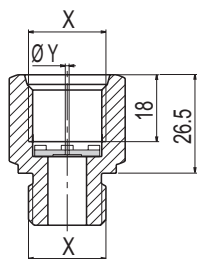


**OTHER VALVES**



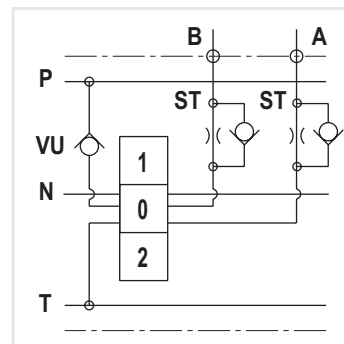
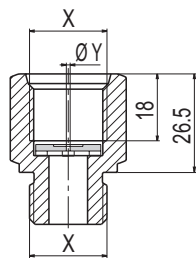
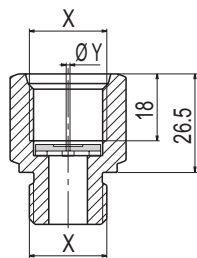
This is the load check valve VU which is built in every section between ports for the monoblock from 2 to 5 sections and you need not to specify in phase of ordering because it is part of the monoblock.

This valve has in the VDM8 - 1 section, another position, as you can see in the drawing of page 9.



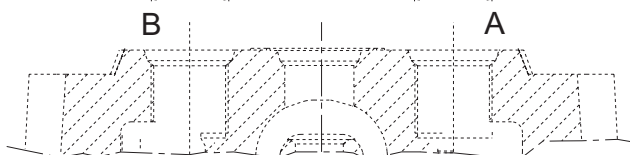
**SP**

Flow restrictor P → A/B



**ST**

Flow restrictor A/B → T

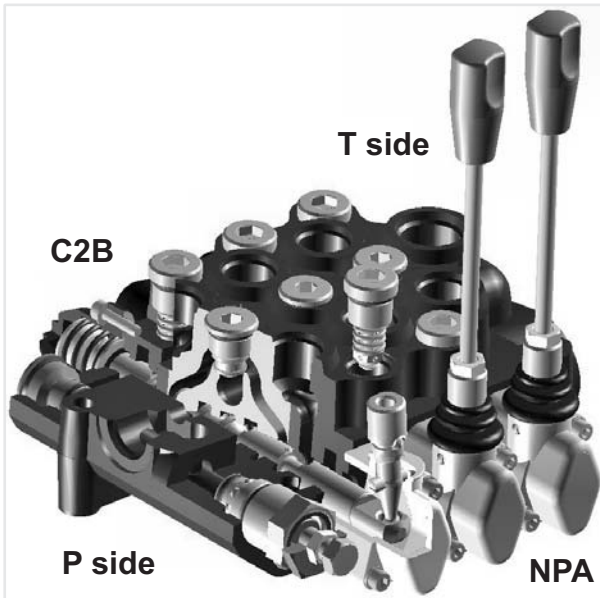


For tightening torque, please refer you to page 5.

X available threads			$\phi Y$ available measures					
*M22 x 1.5	SAE 10	G 1/2	$\phi 2$	$\phi 2.5$	$\phi 2.75$	$\phi 3$	$\phi 3.25$	$\phi 4.5$

\*Available for quantity, please contact our sales dept.

### SPOOL CONTROLS AND SPOOL POSITIONINGS



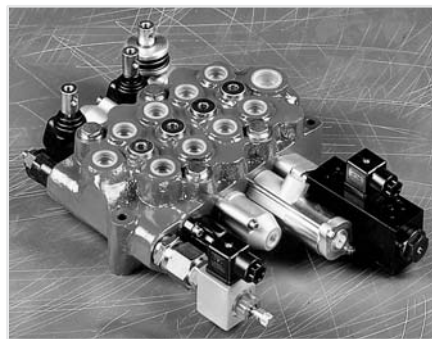
This picture shows the VDM8 assembled, in this case you have a manual control "NP" on A side and a spring return in neutral position "C2" on B side. In this case the manual control "NP" is used directly to have the spool movement, in other case, for example with electro-hydraulic control, there is only a safety lever. Considering that VDM8 is a simmetrical valve, all spool controls and positionings can be placed on both sides A or B. In case of hydraulic kick-out "G2 - G4 - G5" and with spools types 13 - 17 - 18, you can also decide from A or B side but after that this is the final position because with this type of control and spools the monoblock have a special machining.

In this and following pages you can find all spool controls and spool positionings, they are all assembled with socket hexagon head screw or in some case hexagon head screw: **M5 x 0.8 with tightening torque of 4.5 ± 0.5 Nm.**

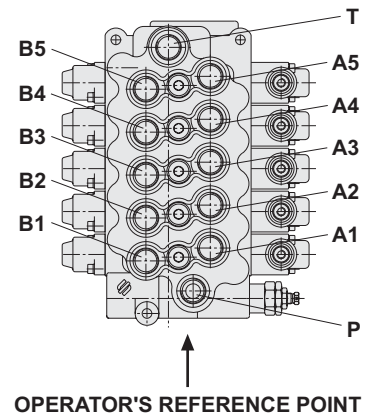
The drw. here below show the reference to fix A and B side from the point of view of the operator.



**VDM8 - 3 working sections  
with electro-hydraulic controls  
H1/H2 - H3/H4**



**VDM8 - assembling for exhibitions  
with miscellaneous of controls  
IP - NP - E7/E8 - LS - C2**

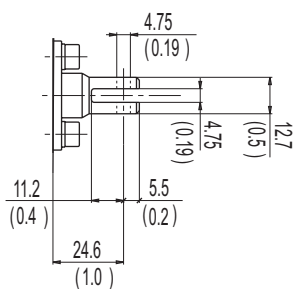


**VDM8 - 3 working sections  
with pneumatic prop. control **PP** and  
electro-pneumatic control **P1/P2****

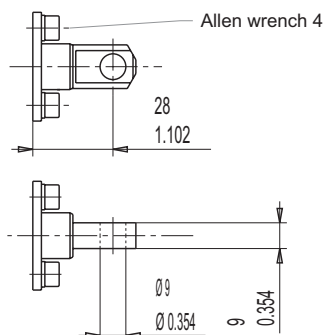


**VDM8 - 5 working sections  
with hydraulic prop. control **IP** and  
hydraulic prop. control with float pos. **IF****

**SPOOL CONTROLS**



**Female version**  
available for spools from 01 to 06  
for the other spools please get in touch  
with our sales dept.



**Male version**

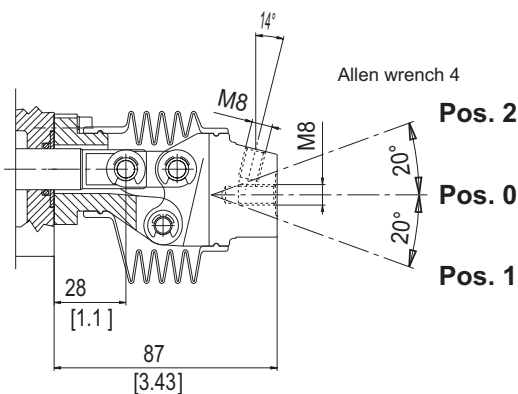
If you order SL we will supply the  
male version, which is the  
standard. For the female version  
please specify it when ordering.

**SL**

Without lever box

- 1
- 0
- 2

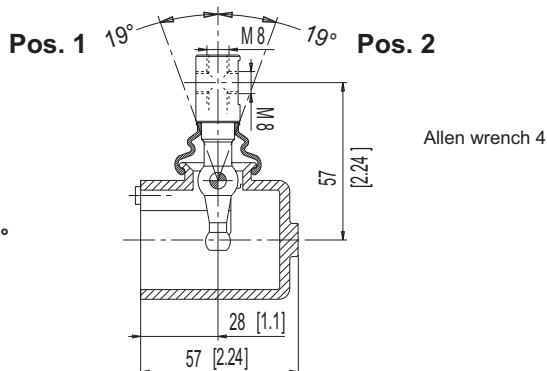
This lever can be assembled turned of 180°



**NL**  
Low effort  
protected lever

- 1
- 0
- 2

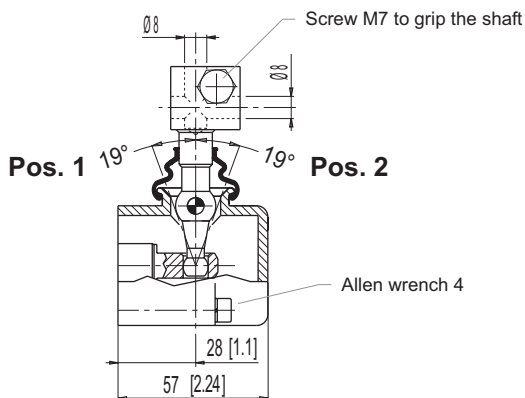
This lever can be assembled turned of 180°



**NP**  
Standard  
protected lever

- 1
- 0
- 2

This lever can be assembled turned of 180°



**MP**  
Protected clamp lever

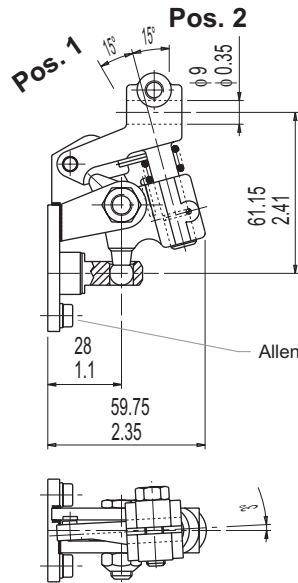
- 1
- 0
- 2

### SS

Lever with security locking in neutral pos.  
Side shift to unlock



This lever with security locking in neutral pos.  
has been created to avoid its accidental  
movement caused by vibrations of the  
application.



This lever can be assembled turned of 180°

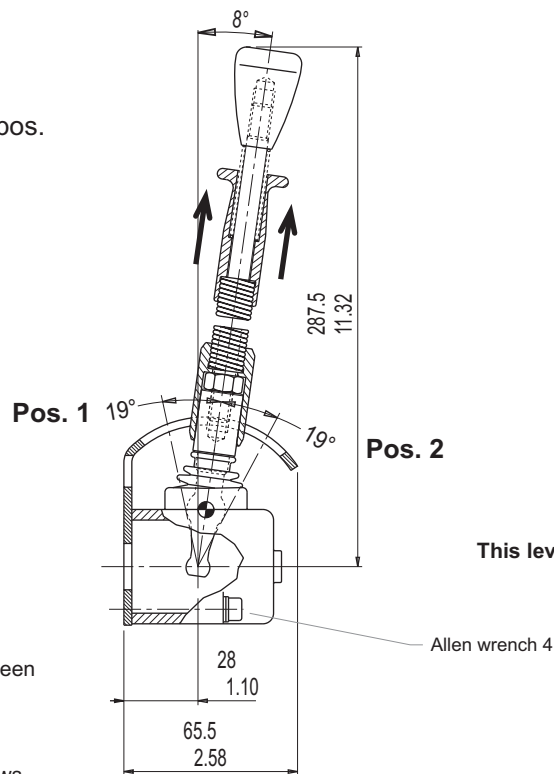
Necessary side shift to release the security locking

### FL

Lever with security locking in neutral pos.  
Pull the grip to unlock.



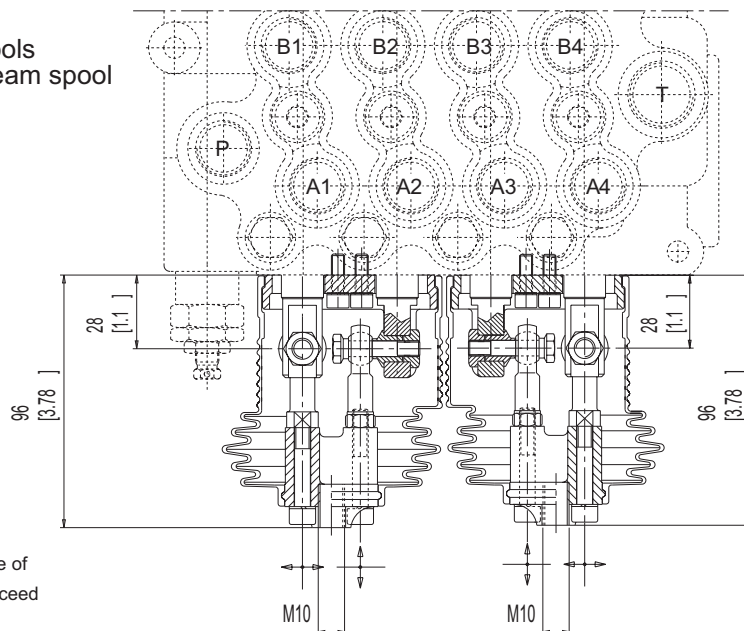
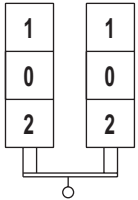
This lever with security locking in neutral has been  
created to avoid its accidental movement  
caused by vibrations of the application.  
Before to put the lever in positions 1 and 2  
you must release it by pulling it as per the arrows



This lever can be assembled turned of 180°

## L2

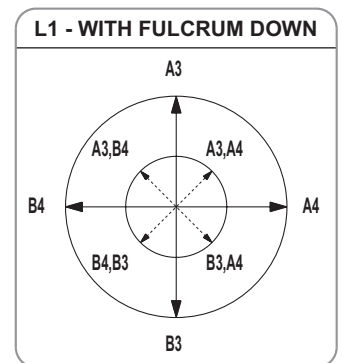
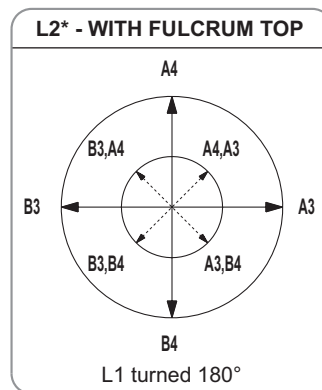
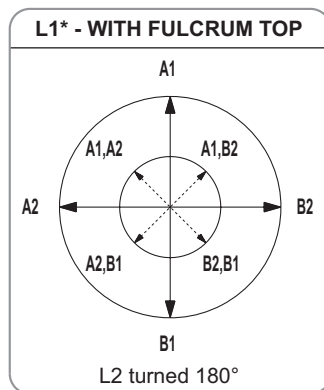
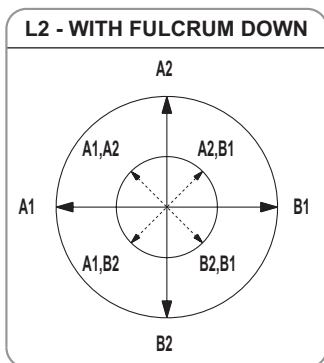
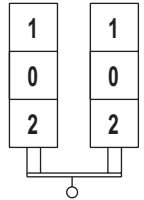
Cross lever for 2 spools  
fulcrum on down-stream spool



For VDM8 we suggest the use of L1\* and L2\* in order not to exceed the fixing plane dimension.

## L1

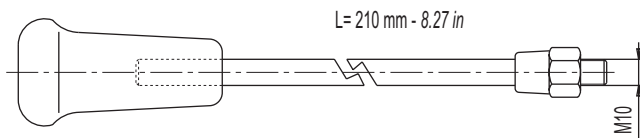
Cross lever for 2 spools  
fulcrum on up-stream spool



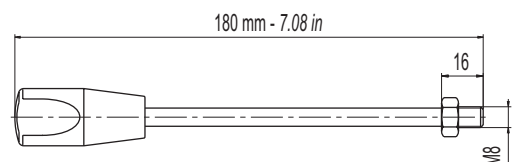
## STANDARD SHAFTS

For different diameter and/or length, please get in touch with our sales dept.

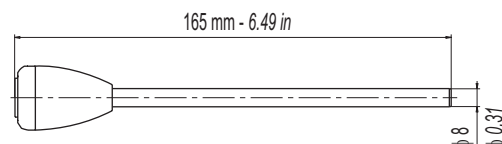
Shaft with ergonomic knob  
for cross lever L1/L2  
**R202 8996 0**



Shaft with threaded end  
**R202 9018 0**



Shaft for clamp lever  
**R202 8839 0**



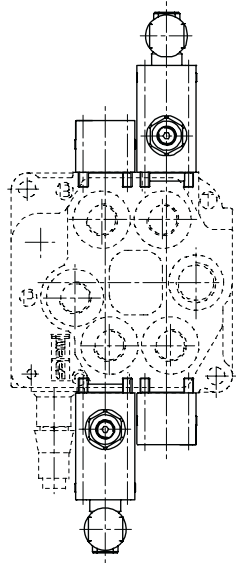
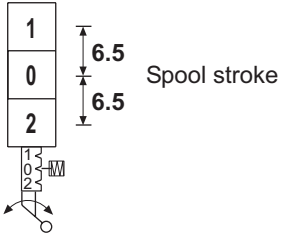
**CR**

Rotary control, available for 1 working section or two working section but one at the opposite side of the other.

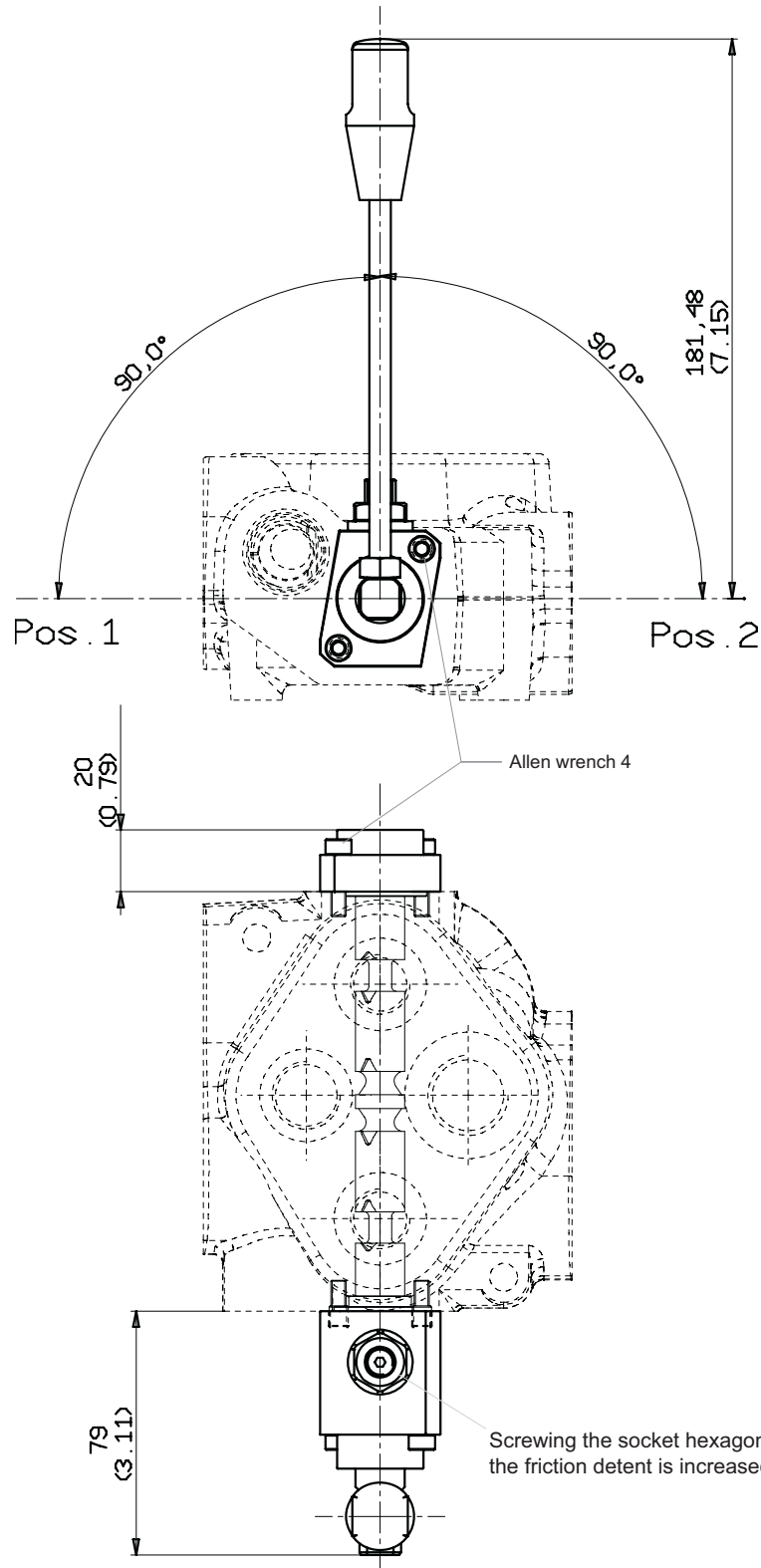
This device is realized for marine applications, so all the material components are corrosion proofing.

This control uses special type spools, available types are: 01 - 02. Mountable on both side (A or B).

Device with cam and adjustable friction detent + rotary lever



The two sections drawing shows a VDM6 valve, but it is only an example to explain the assembling feature.





# DIRECTIONAL CONTROL VALVE MONOBLOCK TYPE

# VDM8

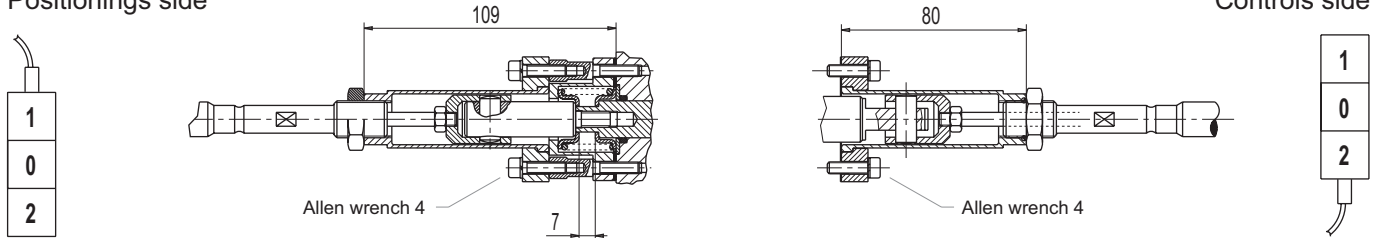
## D1

Devices for cable remote control for both the ends of spool.  
For more details about cables, please consult our catalogue  
cable remote controls.

## TC

End spool with threaded hole M7  
Positionings side

End spool with hole  $\phi$  9 mm.  
Controls side



## E1

### Working conditions for this control:

Flows up to 70 l/min - 18.5 US gpm  
Pressure up to 240 bar - 3500 psi

## SL

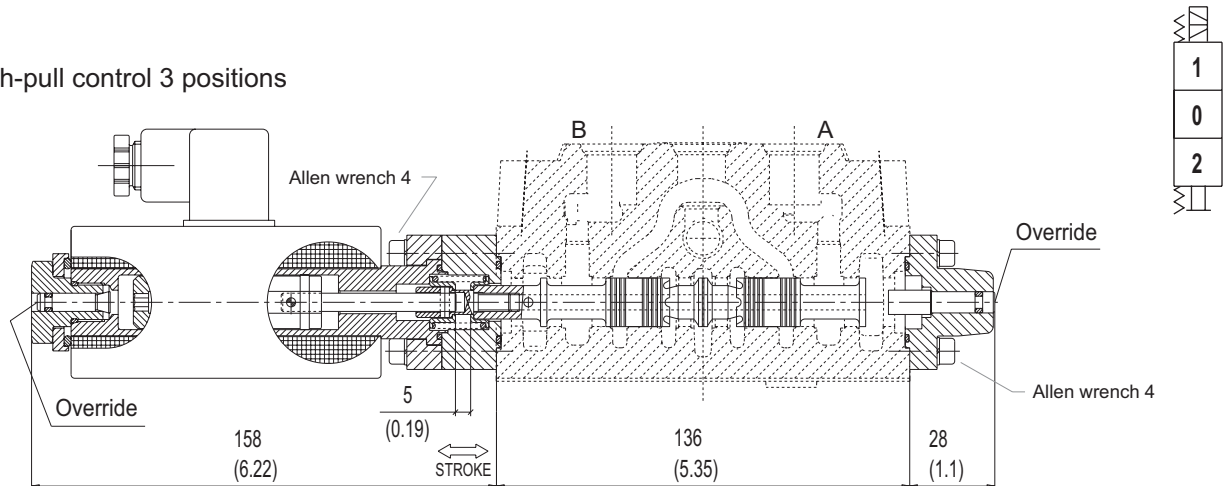
Electric push-pull control 3 positions  
12 Vdc

Without lever for electric control  
with override device

The stroke for this control is of 5 mm,  
for this reason the spools are different of standard.  
**The available spools are from 01 to 06.**

## E2

Electric push-pull control 3 positions  
24 Vdc

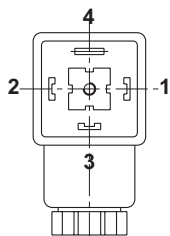


### ELECTRICAL DATA

#### PUSH - PULL SOLENOID

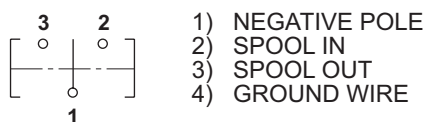
- VOLTAGE: 12Vdc OR 24Vdc
- COIL POWER: 60 Watt at 20°C
- PROTECTION INDEX WITH CONNECTOR: IP 65
- HEAVY DUTY 70%

## ES



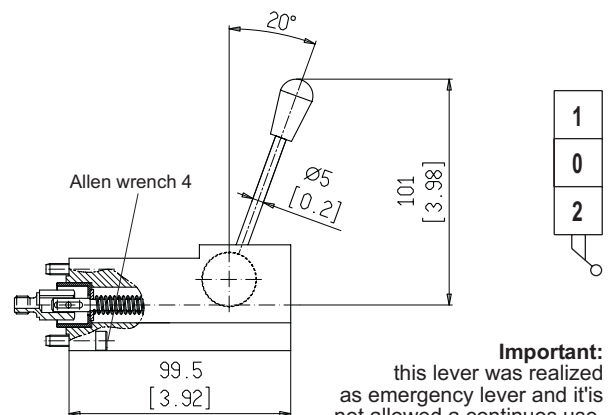
**CONNECTOR**  
DIN 43650 - A/ISO 4400

#### ELECTRIC CONNECTIONS SCHEME



To avoid an excessive wear of the contacts, depending on the sparking of these parts, we suggest a suitable protection (for example diodes)

#### Emergency lever for electric push-pull control



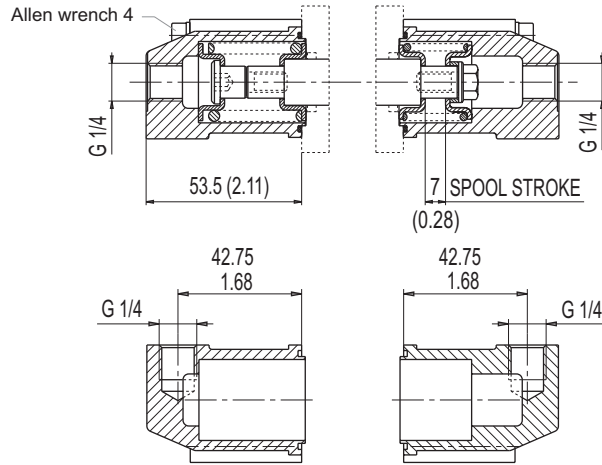
**Important:**  
this lever was realized  
as emergency lever and it's  
not allowed a continuous use.

**IP**

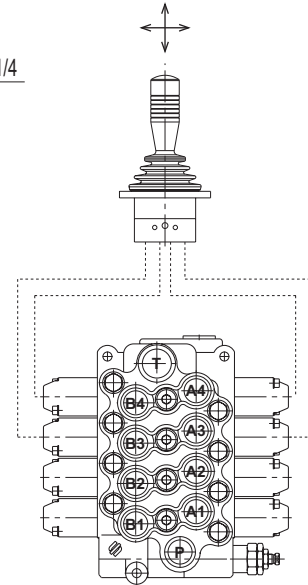
Hydraulic proportional control



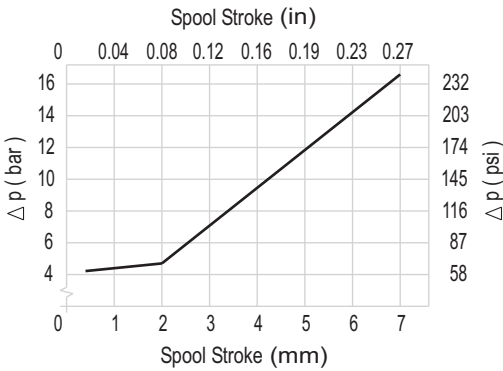
**Important:**  
when you order please specify top or side ports



**Salami hydraulic  
2 axis joystick**



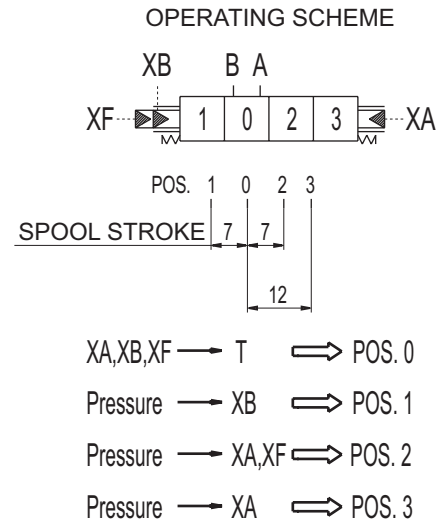
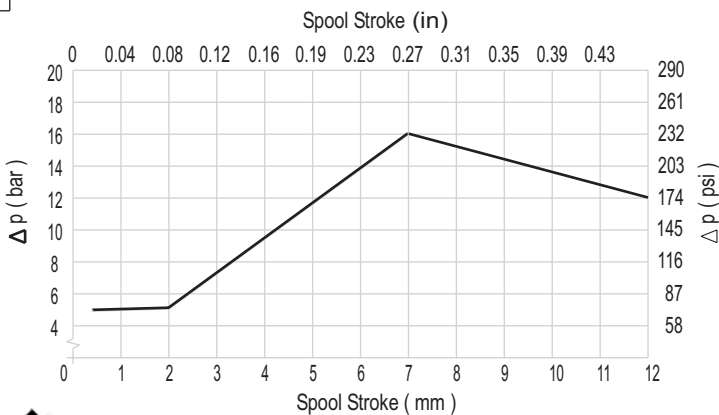
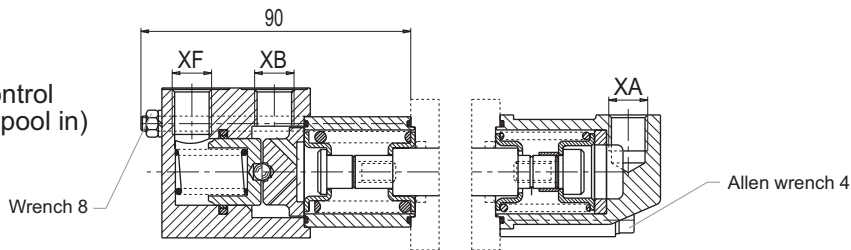
For more information please consult our catalogue  
SHRC hydraulic remote controls.



**XA, XB, XF PORTS : G 1/4**

**IF**

Hydraulic proportional control  
with third float position (spool in)



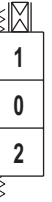
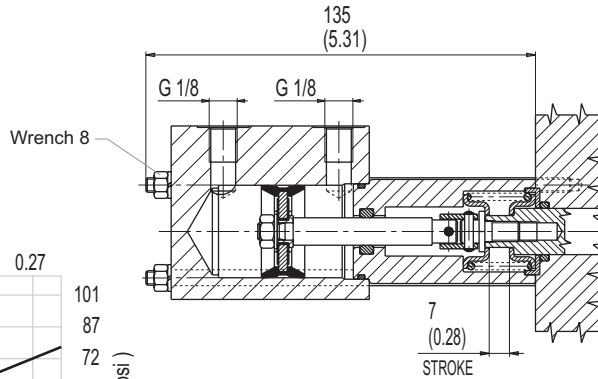
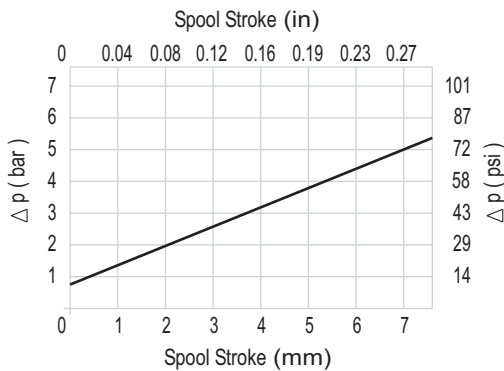
# DIRECTIONAL CONTROL VALVE MONOBLOCK TYPE

# VDM8

Thought for all truck hydraulic applications

## PP/P0

Pneumatic proportional/on-off control

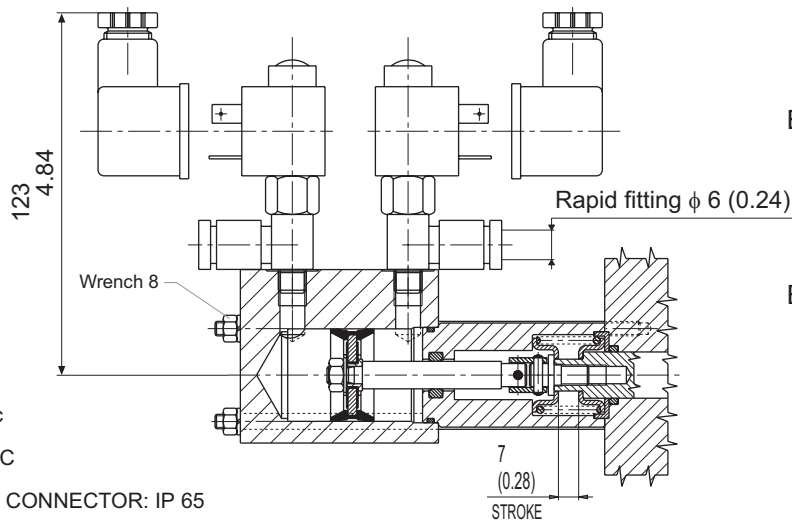


Pneumatic proportional/on-off control  
This control is at the same time proportional and on-off type, it depends if you use a pneumatic remote control proportional type (with the characteristic curve of diagram), or on-off type.



### ELECTRICAL DATA

- VOLTAGE: 12Vdc OR 24Vdc
- COIL POWER: 6 Watt at 20°C
- PROTECTION INDEX WITH CONNECTOR: IP 65

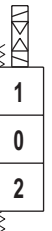


## P1

Electro-pneumatic on-off control - 12 Vdc

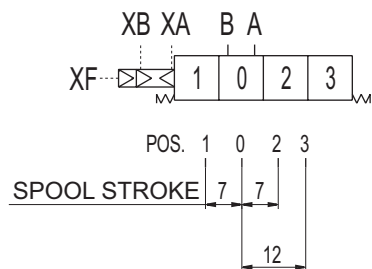
## P2

Electro-pneumatic on-off control - 24 Vdc



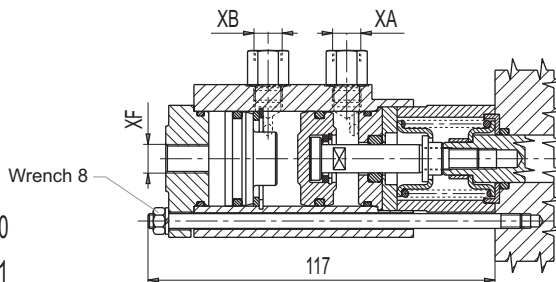
Starting from PP/PO adding the electro-valves you get P1 or P2

### OPERATING SCHEME



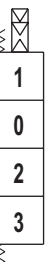
- XA, XB, XF → T → POS. 0
- Pressure → XB → POS. 1
- Pressure → XA, XF → POS. 2
- Pressure → XA → POS. 3

XA, XB, XF PORTS : G 1/4



## PQ

Pneumatic on-off control with third float position (spool in)



For electro-pneumatic control with third float position, please get in touch with our sales dept.

### Preliminary specifications about electro-hydraulic controls

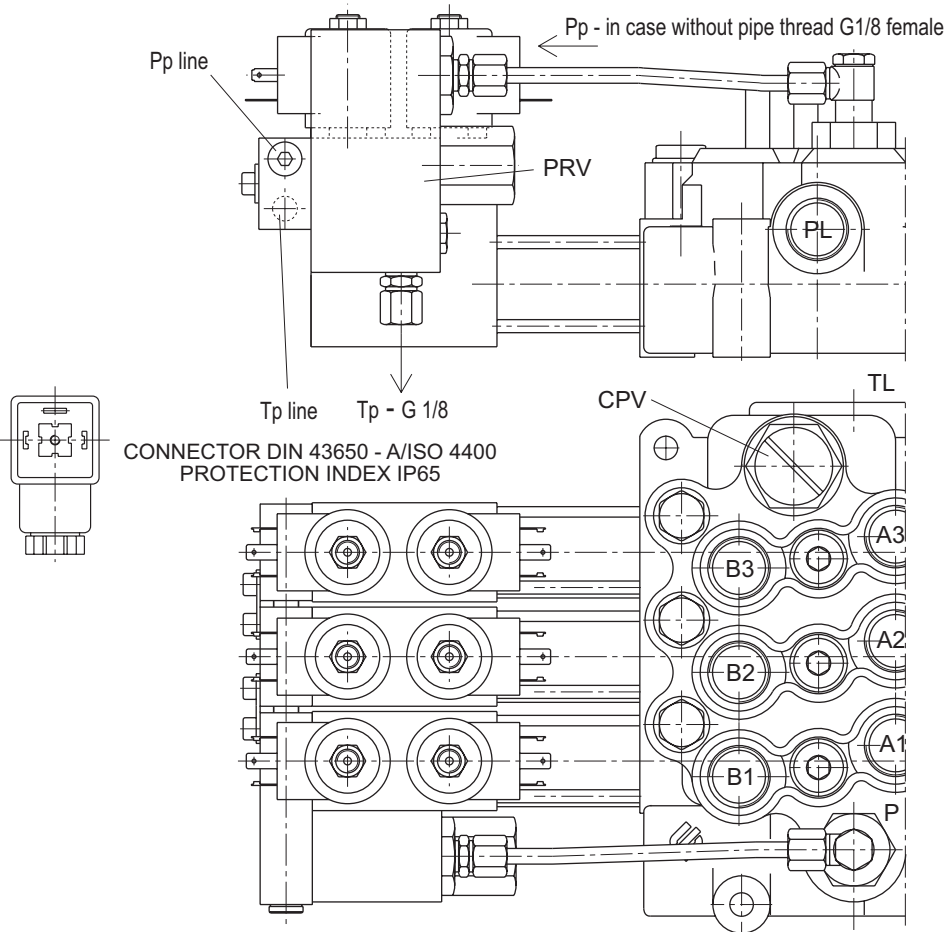
Before to introduce electro-hydraulic single modules it is necessary to specify the adding hydraulic components necessary for the right functioning of it. As you can see in the drawing and hydraulic scheme it needs a pressure reducing valve "PRV" at the inlet of piloting circuit that reduce the pressure of "P" line at the max value of 25 bar (363 psi), a back pressure "CPV" on neutral line that assure a min. pressure of 8 bar (116 psi) and some accessories as fittings, pipe and filter. The pressure reduction at the piloting circuit inlet and the minimum value of

neutral line can be obtained also with external standard valves made by valve manufacturer, for this reason Salami electro-hydraulic controls can be supplied without "PRV" and "CPV".

In this case is necessary to specify it in phase of order.

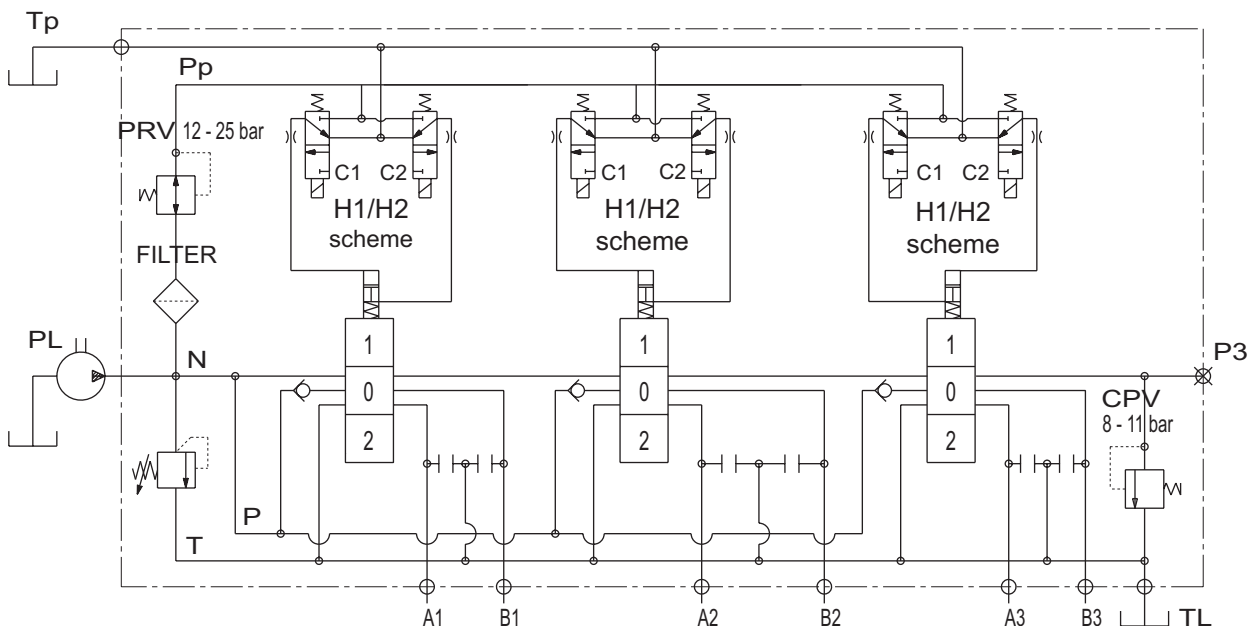
Our standard supply has the "Tp" port opened, we recommend to connect it directly to tank because a counter-pressure could be cause of malfunction.

With reference to page 9, "INLET AND OUTLET TYPES", the outlet U8 is shown in the hydraulic scheme here below, remember that with a special plug instead of "CPV" valve you can change U8 in a power beyond outlet type "U5".



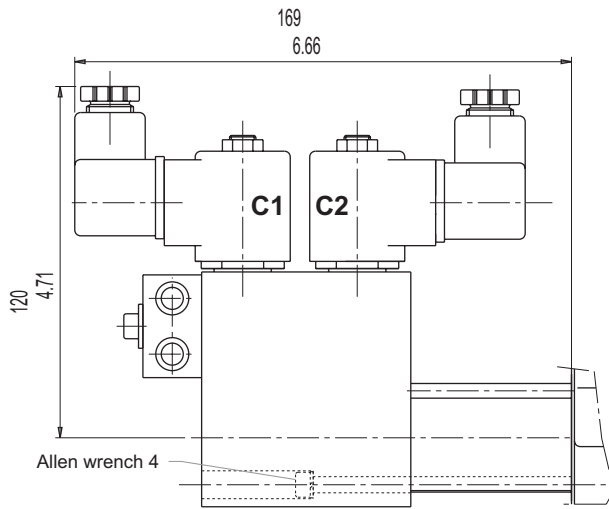
### INDEX

- PRV - pressure reducing valve
- CPV - counter pressure valve
- Pp - pressure piloting line
- Tp - tank piloting line
- PL - P port
- TL - T port



# DIRECTIONAL CONTROL VALVE MONOBLOCK TYPE

# VDM8



**OPERATING INSTRUCTIONS**  
please see the hydraulic circuit  
of page before

- C1 - C2** coils de-energized  $\Rightarrow$  POS. 0
- C1** coil energized  $\Rightarrow$  POS. 1
- C2** coil energized  $\Rightarrow$  POS. 2

**TECHNICAL DATA**

- MAX PRESSURE IN "P" 30 bar
- MAX FLOW 2 l/min
- AVAILABLE VOLTAGE 12 - 24 Vcc
- COIL RESISTANCE 12Vdc:7.2 $\Omega$  - 24Vdc:41.5 $\Omega$
- POWER 14 W (20°C)

## H1

ON-OFF  
electro-hydraulic control  
12 Vdc

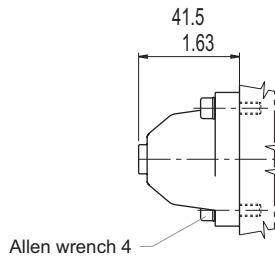
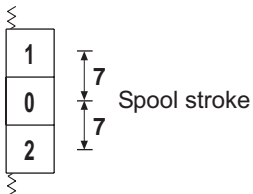
## H2

ON-OFF  
electro-hydraulic control  
24 Vdc

## SPOOL POSITIONINGS

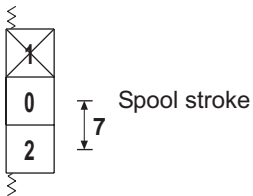
### C2

Spring centered to neutral position



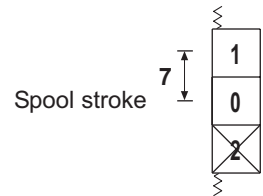
### C5

Two positions (neutral/pos. 2)  
with spring return in neutral



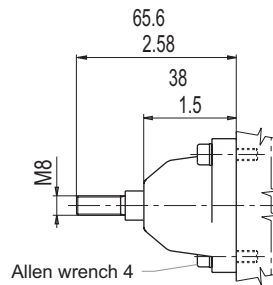
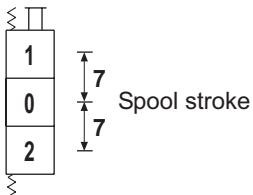
### C6

Two positions (neutral/pos. 1)  
with spring return in neutral



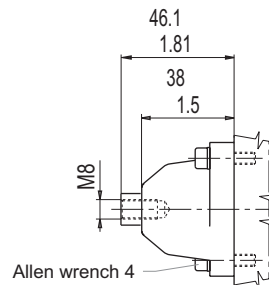
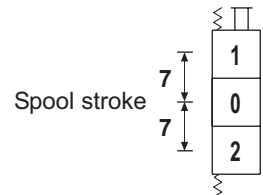
### C3

Spring centered to neutral  
(pivot threaded male  
for remote control)



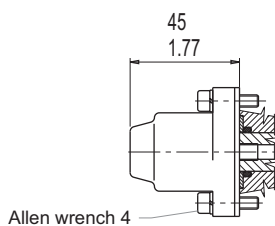
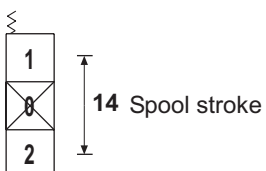
### C4

Spring centered to neutral  
(pivot threaded female  
for remote control)



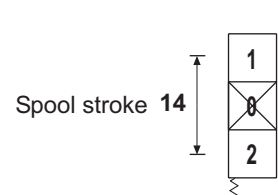
### C7

Two positions (pos. 1/pos. 2)  
with spring return in pos. 1



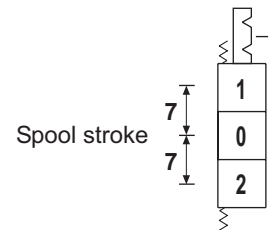
### C8

Two positions (pos1/pos. 2)  
with spring return in pos. 2



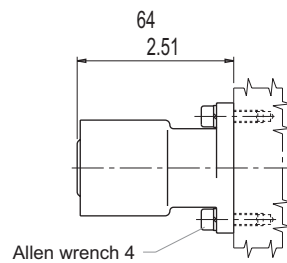
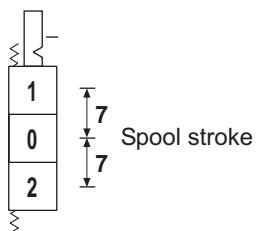
**R2**

Detent on pos. 1/pos. 2  
with spring return in neutral



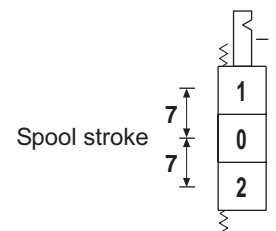
**R5**

Detent on pos. 2  
with spring return in neutral



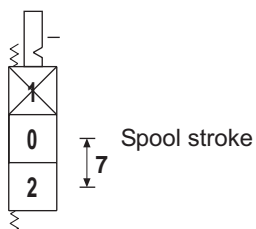
**R4**

Detent on pos. 1  
with spring return in neutral



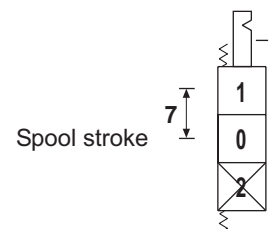
**R6**

Two positions with detent on pos. 2  
with spring return in neutral



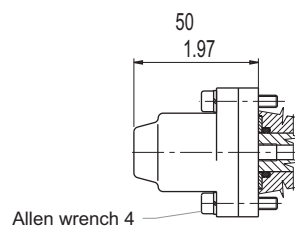
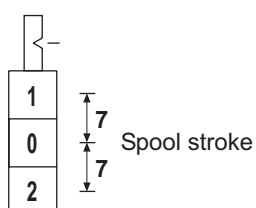
**R7**

Two positions with detent on pos. 1  
with spring return in neutral



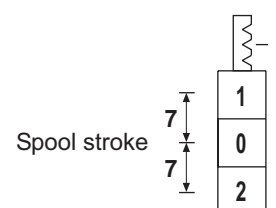
**CO**

Detent on each intermediate positions



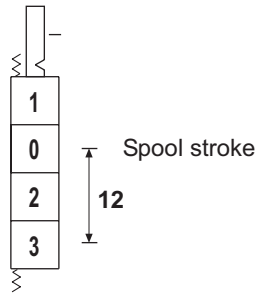
**R9**

Detent on pos. 1/pos. 2  
and neutral position



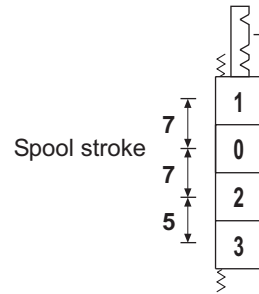
### F1

Detent on pos. 3  
with spring return in neutral



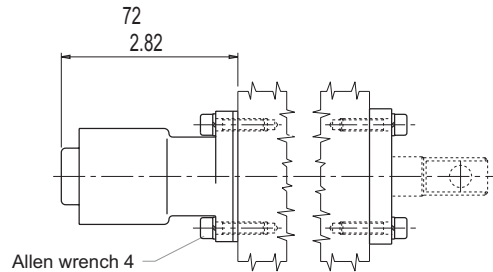
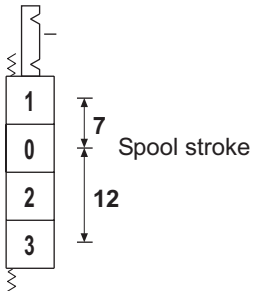
### F2

Detent on pos. 1/pos. 2/pos. 3  
with spring return in neutral



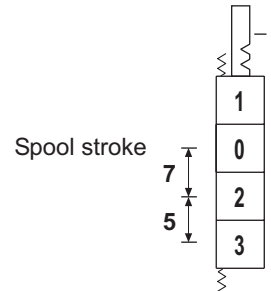
### F3

Detent on pos. 1/pos. 3  
with spring return in neutral



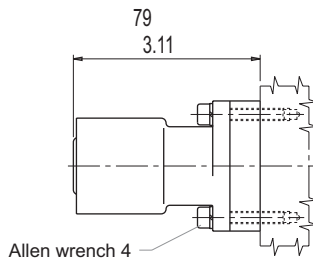
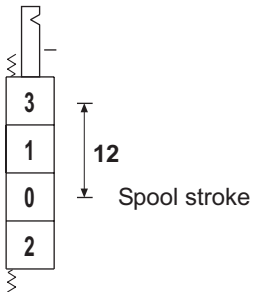
### F4

Detent on pos. 2/pos. 3  
with spring return in neutral



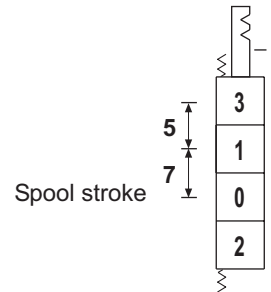
### F5

Detent on pos. 3  
with spring return in neutral



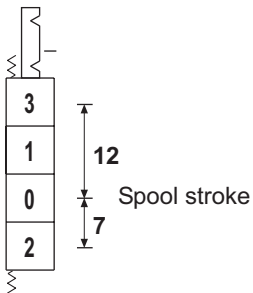
### F6

Detent on pos. 1/pos. 3  
with spring return in neutral



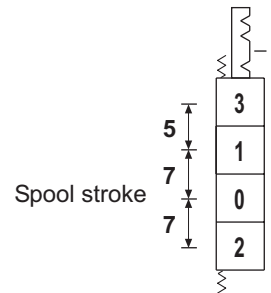
### F7

Detent on pos. 2/pos. 3  
with spring return in neutral

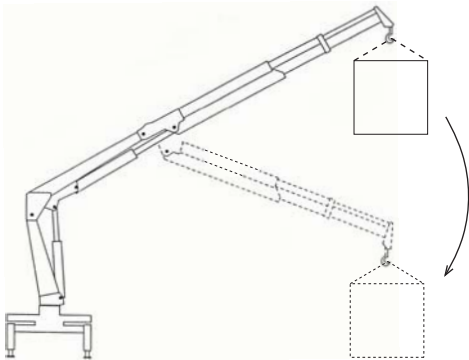


### F8

Detent on pos. 1/pos. 2/pos. 3  
with spring return in neutral





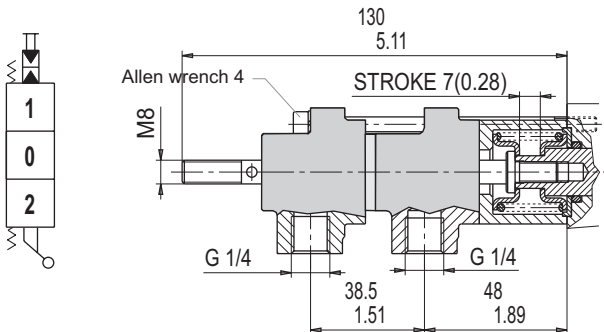


For manufacturers using load and overturning torque limiting device for hydraulically operated cranes, Salami VDM8 valve is available with some devices that allow the manufacturer to supply a pressure signal inside itself. This pressure signal, acting on the area of a piston of 18 mm (0.71 inc.) diameter, reacts to the force of the manual control bringing back the spool at the position 0.

These devices are only available in combination with manual control.

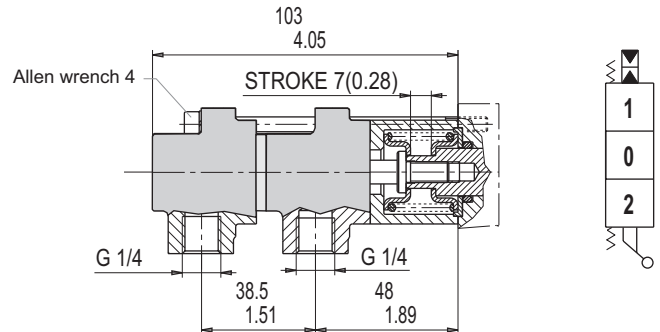
**D9**

Device for spool positioning in 0 from the positions 1 and 2 by an external pressure signal. For tie-rod connection.



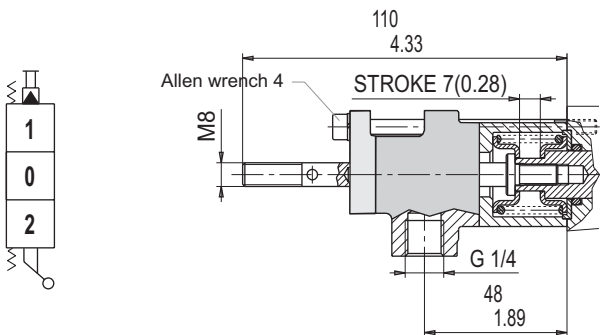
**M3**

Device for spool positioning in 0 from the positions 1 and 2 by an external pressure signal.



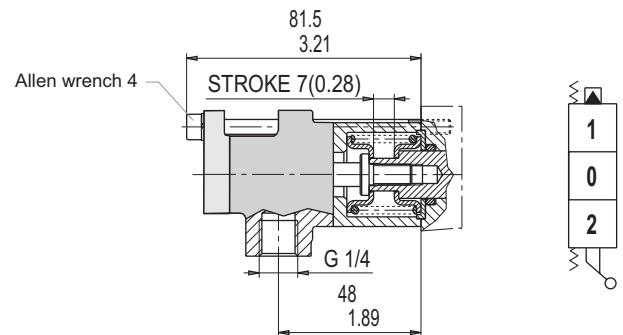
**D8**

Device for spool positioning in 0 from the position 1 by an external pressure signal. For tie-rod connection.



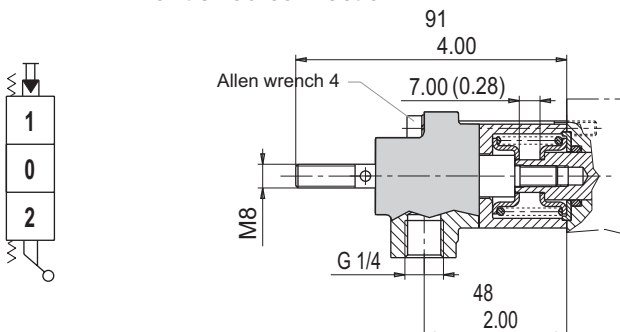
**M1**

Device for spool positioning in 0 from the position 1 by an external pressure signal.



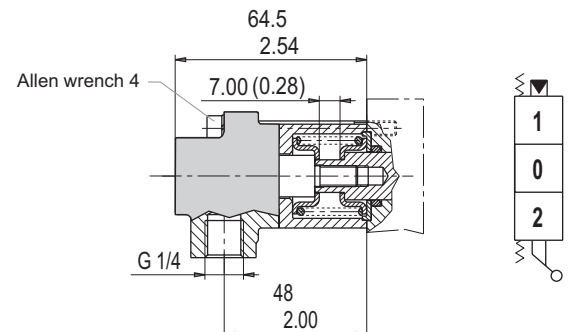
**D7**

Device for spool positioning in 0 from the position 2 by an external pressure signal. For tie-rod connection.



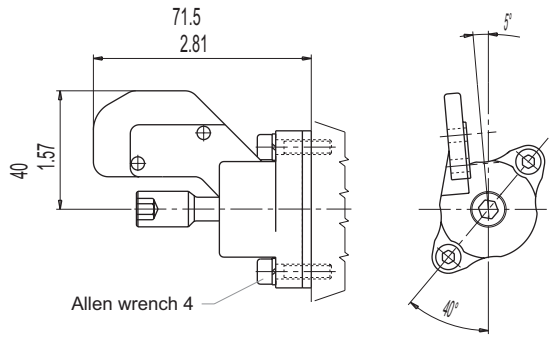
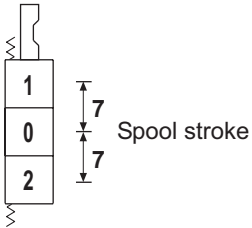
**M2**

Device for spool positioning in 0 from the position 2 by an external pressure signal.



### CE

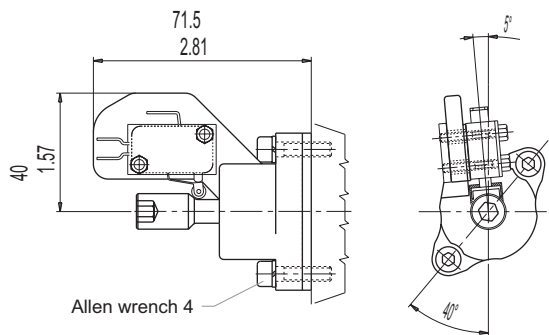
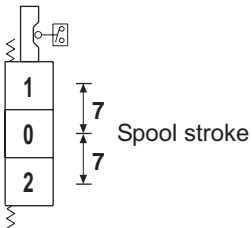
Pre-arrangement for electrical device



### CM

**MICROSWITCH TYPE: SAIA - BURGESS XGK - 88**  
For more information please get in touch with our sales dept.

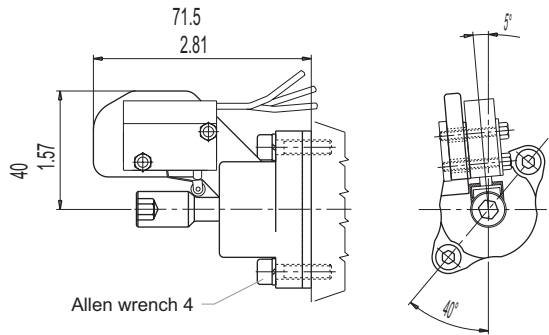
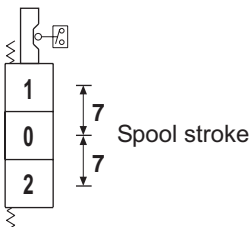
Spool positioning with microswitch to start an electric motor (available also for single acting spools)



PROTECTION INDEX  
IP65

### CW

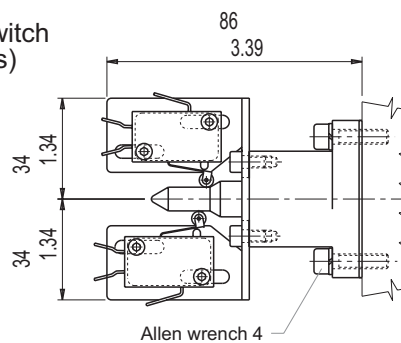
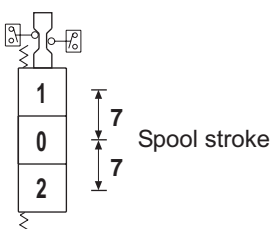
Spool positioning with waterproof microswitch to start an electric motor (available also for single acting spools)



PROTECTION INDEX  
IP67

### CD

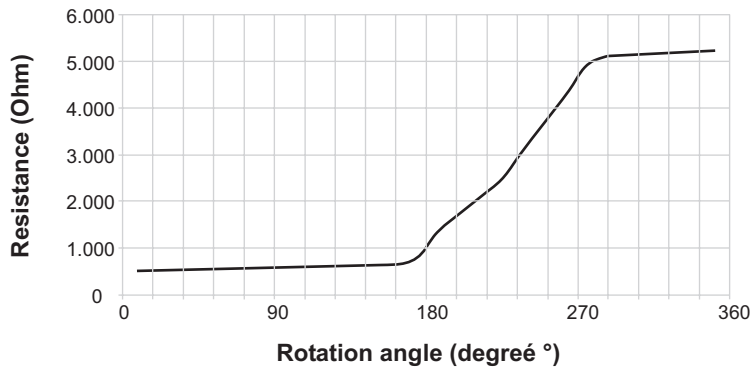
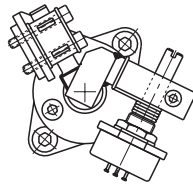
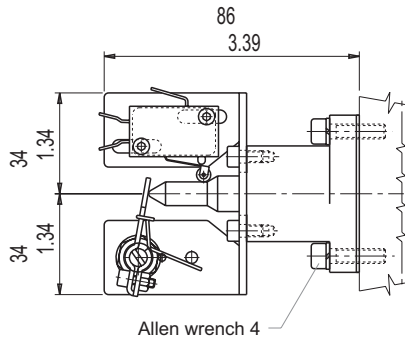
Spool positioning with double microswitch (available also for single acting spools)



PROTECTION INDEX  
IP65

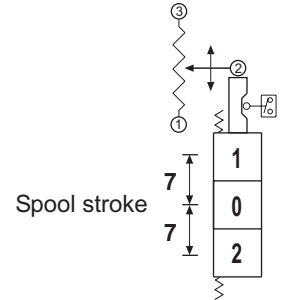
# DIRECTIONAL CONTROL VALVE MONOBLOCK TYPE

# VDM8



**PM**

Spool positioning with microswitch to start an electric motor and potentiometer to run up speed motor (available also for single acting spools)

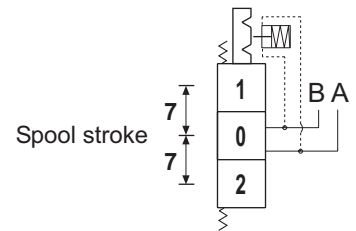


**IMPORTANT:**

When you order, please specify the setting pressure of the device.  
With this type of spool positioning a special machining of the body is required.

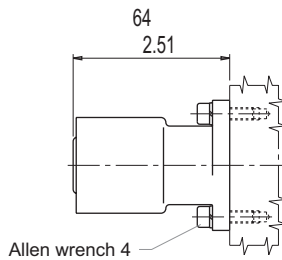
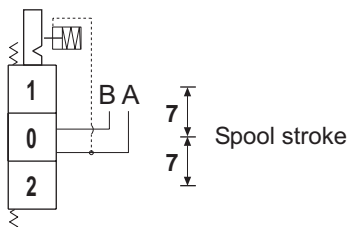
**G2**

Detent on pos. 1/pos. 2 with hydraulic kick-out



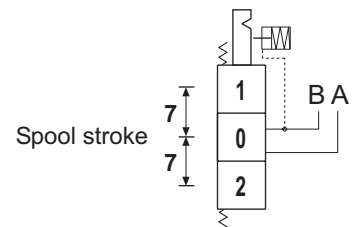
**G5**

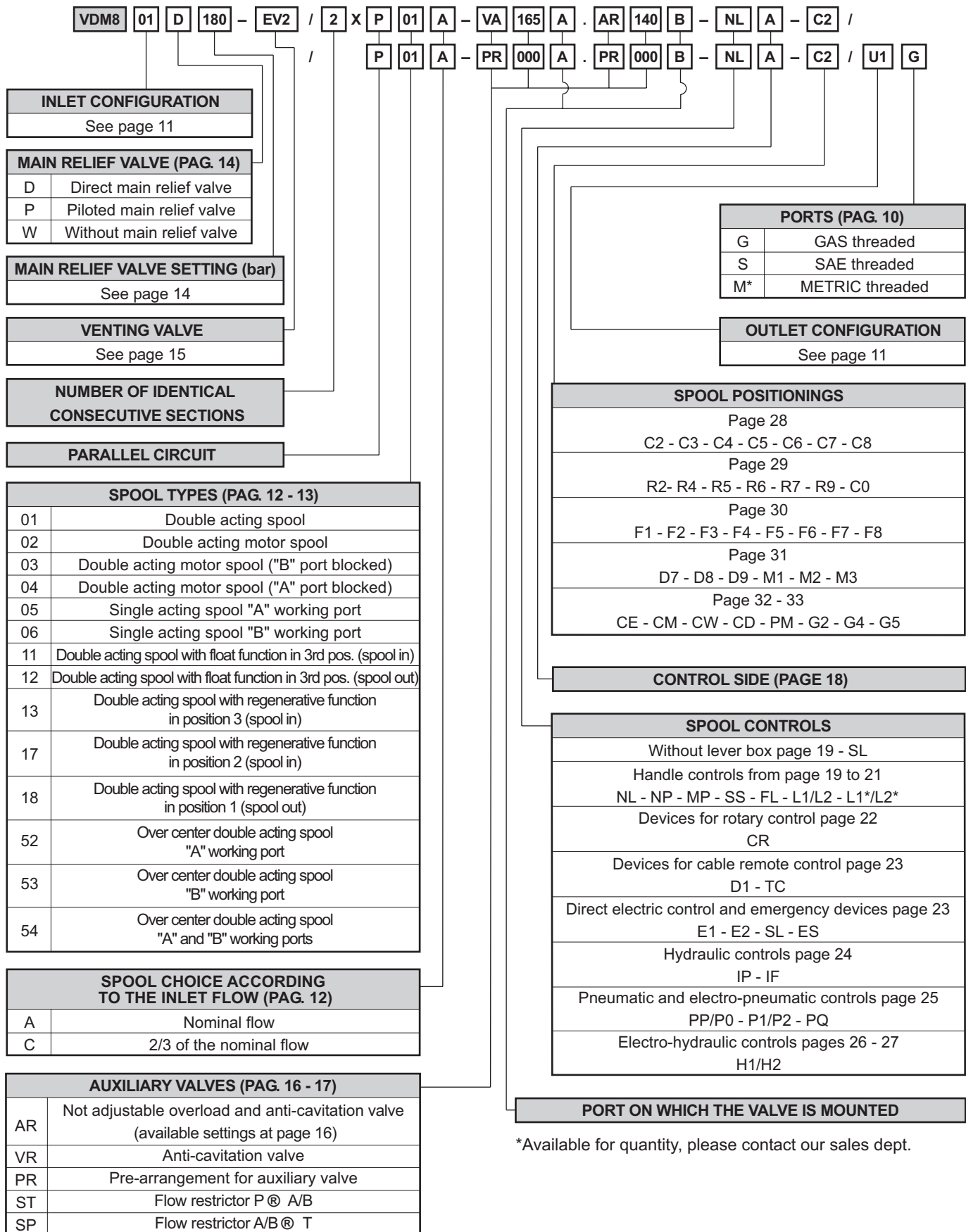
Detent on pos. 2 with hydraulic kick-out



**G4**

Detent on pos. 1 with hydraulic kick-out





\*Available for quantity, please contact our sales dept.

**DESCRIPTION OF THE NEW PRODUCT IDENTIFICATION LABEL**

Based on the firm certification ISO 9001 - UNI EN 29001, section 4.8 (identification and traceability of the product), we have adopted a new identification label starting from the 1<sup>st</sup> march 1995. Pls, see following example:

<b>A</b>			
<b>B</b>			
<b>C</b>		<b>D</b>	
<b>E</b>	salami	<b>F</b>	<b>G</b>

- A = Product short description (eg. VD8A/FDD/U4G).**
- B = Customer part number.**
- C = Salami part number (eg. 6235 0025 0).**
- D = Production code (for Salami management)**
- E = Rotation sense (only for pumps).**
- F = Production date (see data sheet here below)**
- G = Progressive number of assembling.**

Only for pumps 2PB and 2PZ (except triple 2PB) the identification product is marked on the top of the pump body as shown here below:



**SALAMI 09/02**  
**MADE IN ITALY 4010998**  
**612271211 nr. 13**  
**2PB 19S B25 B5**

- Product short description. \_\_\_\_\_
- Salami part number and progressive number of assembling. \_\_\_\_\_
- Production code (for Salami management). \_\_\_\_\_
- Month and year of made: maybe in the future you can find this type of production date in the label beside too. \_\_\_\_\_
- Rotation sense. \_\_\_\_\_

ASSEMBLED	1997	1998	1999	2000	2001	2002	2003	2004	2005	2006	2007	2008	2009	2010	2011	2012
JANUARY	7A	8M	9M	0M	1M	2M	3M	4M	5M	6M	7M	08M	09M	10M	11M	12M
FEBRUARY	7B	8N	9N	0N	1N	2N	3N	4N	5N	6N	7N	08N	09N	10N	11N	12N
MARCH	7C	8P	9P	0P	1P	2P	3P	4P	5P	6P	7P	08P	09P	10P	11P	12P
APRIL	7D	8Q	9Q	0Q	1Q	2Q	3Q	4Q	5Q	6Q	7Q	08Q	09Q	10Q	11Q	12Q
MAY	7E	8R	9R	0R	1R	2R	3R	4R	5R	6R	7R	08R	09R	10R	11R	12R
JUNE	7F	8S	9S	0S	1S	2S	3S	4S	5S	6S	7S	08S	09S	10S	11S	12S
JULY	7G	8T	9T	0T	1T	2T	3T	4T	5T	6T	7T	08T	09T	10T	11T	12T
AUGUST	7H	8U	9U	0U	1U	2U	3U	4U	5U	6U	7U	08U	09U	10U	11U	12U
SEPTEMBER	7I	8V	9V	0V	1V	2V	3V	4V	5V	6V	7V	08V	09V	10V	11V	12V
OCTOBER	7J	8Z	9Z	0Z	1Z	2Z	3Z	4Z	5Z	6Z	7Z	08Z	09Z	10Z	11Z	12Z
NOVEMBER	7K	8X	9X	0X	1X	2X	3X	4X	5X	6X	7X	08X	09X	10X	11X	12X
DECEMBER	7L	8Y	9Y	0Y	1Y	2Y	3Y	4Y	5Y	6Y	7Y	08Y	09Y	10Y	11Y	12Y



## WARRANTY

- We warrant products sold by us to be free from defects in material and workmanship.
- Our sole obligation to buyer under this warranty is the repair or replacement, at our option, of any products or parts thereof which, under normal use and proper maintenance, have proven defective in material or workmanship, this warranty does not cover ordinary wear and tear, abuse, misuse, averloading, alteration.
- No claims under this warranty will be valid unless buyer notifies SALAMI in writing within a reasonable time of the buyer's discovery of such defects, but in no event later than twelve (12) months from date of shipment to buyer.
- Our obligation under this warranty shall not include any transportation charges or cost of installation, replacement, field repair, or other charges related to returning products to us; or any liability for direct, indirect or consequential damage or delay. If requested by us, products or parts for which a warranty claim is made are to be returned transportation prepaid to our factory. The risk of loss of any products or parts thereof returned to SALAMI will be on buyer.
- No employee or representative is authorized to change any warranty in any way or grant any other warranty unless such change is made in writing and signed by an officer of SALAMI.



SALAMI spa  
via Emilia Ovest 1006  
41100 Modena Italy  
telefono +39-059-387411  
telefax +39-059-387500  
export@salami.it - www.salami.it



SALAMI ITALIA srl  
strada Pelosa 183  
S. Pietro in Trigogna VI Italy  
telefono +39-0444-240080  
telefax +39-0444-240204  
salami.italia@salami.it



SALAMI ESPAÑA  
Poligono Industrial Armenteres  
C/Primer de Maig, 18, Nave 4  
08980 San Feliu de Llobregat  
Barcelona  
telefono +34-93-6327288  
telefax +34-93-6667826  
info@salamispain.com



SALAMI FRANCE  
22, rue Louis Saillant  
69120 Vaux en Velin  
Lyon  
telefono +33-04-78809941  
telefax +33-04-78803669  
e.pasian@wanadoo.fr



149 S0. Chenango St. Ext.,  
GREEN, NY 13778  
Tel.: +1-607-6565702  
Fax.: +1-607-6565704  
info@salamihydraulics.com